

DVD PLAYER

DVD-S1500/DV-S5770

SERVICE MANUAL

IMPORTANT NOTICE

This manual has been provided for the use of authorized YAMAHA Retailers and their service personnel. It has been assumed that basic service procedures inherent to the industry, and more specifically YAMAHA Products, are already known and understood by the users, and have therefore not been restated.

WARNING: Failure to follow appropriate service and safety procedures when servicing this product may result in personal injury, destruction of expensive components, and failure of the product to perform as specified. For these reasons, we advise all YAMAHA product owners that any service required should be performed by an authorized YAMAHA Retailer or the appointed service representative.

IMPORTANT: The presentation or sale of this manual to any individual or firm does not constitute authorization, certification or recognition of any applicable technical capabilities, or establish a principle-agent relationship of any form.

The data provided is believed to be accurate and applicable to the unit(s) indicated on the cover. The research, engineering, and service departments of YAMAHA are continually striving to improve YAMAHA products. Modifications are, therefore, inevitable and specifications are subject to change without notice or obligation to retrofit. Should any discrepancy appear to exist, please contact the distributor's Service Division.

WARNING: Static discharges can destroy expensive components. Discharge any static electricity your body may have accumulated by grounding yourself to the ground buss in the unit (heavy gauge black wires connect to this buss).

IMPORTANT: Turn the unit OFF during disassembly and part replacement. Recheck all work before you apply power to the unit.

CONTENTS

TO SERVICE PERSONNEL	2-4
PREVENTION OF ELECTRO STATIC DISCHARGE	4
LOCALE MANAGEMENT INFORMATION	5
FRONT PANELS	5
REMOTE CONTROL PANEL	5
REAR PANELS	6
SPECIFICATIONS / 参考仕様	7-8
SERVICE HINTS / サービスヒント	8

DISASSEMBLY PROCEDURES /	
分解手順	9-10
BLOCK DIAGRAM	11
PRINTED CIRCUIT BOARD	12-15
SCHEMATIC DIAGRAM	16-27
EXPLODED VIEW	28
MECHANICAL PARTS	28-29



このサービスマニュアルは、エコマーク認定の再生紙を使用しています。
This Service Manual uses recycled paper.



■ TO SERVICE PERSONNEL

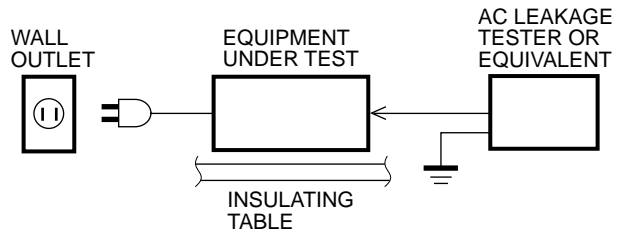
1. Critical Components Information

Components having special characteristics are marked \triangle and must be replaced with parts having specifications equal to those originally installed.

2. Leakage Current Measurement (For 120V Models Only)

When service has been completed, it is imperative to verify that all exposed conductive surfaces are properly insulated from supply circuits.

- Meter impedance should be equivalent to 1500 ohm shunted by 0.15 μ F.



- Leakage current must not exceed 0.5mA.
- Be sure to test for leakage with the AC plug in both polarities.

WARNING: CHEMICAL CONTENT NOTICE!

The solder used in the production of this product contains LEAD. In addition, other electrical/electronic and/or plastic (where applicable) components may also contain traces of chemicals found by the California Health and Welfare Agency (and possibly other entities) to cause cancer and/or birth defects or other reproductive harm.

DO NOT PLACE SOLDER, ELECTRICAL/ELECTRONIC OR PLASTIC COMPONENTS IN YOUR MOUTH FOR ANY REASON WHATSOEVER!

Avoid prolonged, unprotected contact between solder and your skin! When soldering, do not inhale solder fumes or expose eyes to solder/flux vapor!

If you come in contact with solder or components located inside the enclosure of this product, wash your hands before handling food.

WARNING: Laser Safety

This product contains a laser beam component. This component may emit invisible, as well as visible radiation, which may cause eye damage. To protect your eyes and skin from laser radiation, the following precautions must be used during servicing of the unit.

- 1) When testing and/or repairing any component within the product, keep your eyes and skin more than 30 cm away from the laser pick-up unit at all times. Do not stare at the laser beam at any time.
- 2) Do not attempt to readjust, disassemble or repair the laser pick-up, unless noted elsewhere in this manual.
- 3) CAUTION : Use of controls, adjustments or performance of procedures other than those specified herein may result in hazardous radiation exposure.

Laser Emitting conditions:

- 1) When the Top Cover is removed, and the STANDBY/ON SW is turned to the "ON" position, the laser component will emit a beam for several seconds to detect if a disc is present. During this time (5-10 sec.) the laser may radiate through the lens of the laser pick-up unit. Do not attempt any servicing during this period! If no disc is detected, the laser will stop emitting the beam. When a disc is loaded, you will not be exposed to any laser emissions.

警告：レーザーの安全対策

本機はレーザー光線を放射する部品を搭載しています。この部品が放射するレーザー光線は目に損傷を起こします。このレーザー光線から目及び肌を保護するために、本機の修理作業中は下記の注意を厳守してください。

- 1) テスト時または修理時、目及び肌を光ピックアップから30cm以上離してください。いかなる場合もレーザー光線を見つめないでください。
- 2) 光ピックアップの再調整及び分解はしないでください。
- 3) このマニュアル上で指定されている以外の制御、調整、手順はレーザー光線を照射される結果を招く恐れがあります。

レーザー放射条件

- 1) トップカバーを取り外しSTANDBY/ONスイッチをONにすると、ディスク検知のため5～10秒間、光ピックアップからレーザー光線が放射されます。この間、修理はしないでください。ディスクが検知されなければ、レーザー光線の放射は停止します。ディスクがセットされている場合、ディスクで遮られるのでレーザー光線は修理担当者には届きません。

2) The laser power level can be adjusted with the VR on the pick-up PWB, however, this level has been set by the factory prior to shipping from the factory. Do not adjust this laser level control unless instruction is provided elsewhere in this manual. Adjustment of this control can increase the laser emission level from the device.

2) レーザーパワーレベルは光ピックアップ基板上のVRにより調整可能ですが、工場出荷前に調整セット済みなので、このVRは廻さないでください。このVRを廻すと装置からのレーザー光線の放射レベルが上がる恐れがあります。

Laser Diode Properties

Type: Semiconductor laser GaAlAs
Wave length: 650 nm (DVD/SA-CD)
790 nm (VCD/CD)
Output Power: 7 mW (DVD/SA-CD/VCD/CD)

レーザー

タイプ 半導体レーザー GaAlAs
波長 650 nm (DVD/SA-CD)
790 nm (VCD/CD)
出力 7 mW (DVD/SA-CD/VCD/CD)

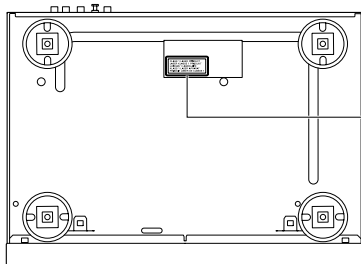
VARO! : AVATTAESSA JA SUOJALUKITUS OHITETTAESSA OLET ALTTIINA NÄKYMÄTTÖMÄLLE LASER-SÄTEILYLLE. ÄLÄ KATSO SÄTEESEEN.

WARNING! : OSYNLIG LASERSTRÅLNING NÄR DENNA DEL ÄR ÖPPNAD OCH SPÄRREN ÄR URKOPPLAD. BETRAKTA EJ STRÅLEN.

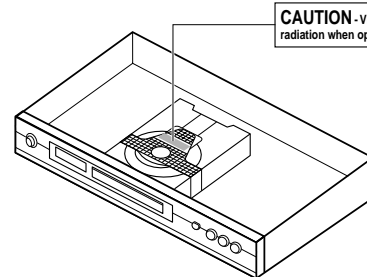
WARNING

The use of optical instruments with this product will increase eye hazard.

Repair handling should take place as much as possible with a disc loaded inside the player.



CLASS 1 LASER PRODUCT
LASER KLASSE 1 PRODUKT
LUOKAN 1 LASERLAITE
KLASS 1 LASER APPARAT
PRODUIT LASER DE CLASSE 1



CAUTION - Visible and invisible laser radiation when open. Avoid exposure to beam.

CAUTION VISIBLE AND INVISIBLE LASER RADIATION WHEN OPEN. AVOID EXPOSURE TO BEAM

ADVARSEL SYNLIG OG USYNLIG LASERSTRÅLNING VED ÅBNING UNDGÅ UDSÆTTELSE FOR STRÅLNING

ADVARSEL SYNLIG OG USYNLIG LASERSTRÅLNING NÄR DEKSEL ÅPNES UNNGÅ EKSPONERING FOR STRÅLEN

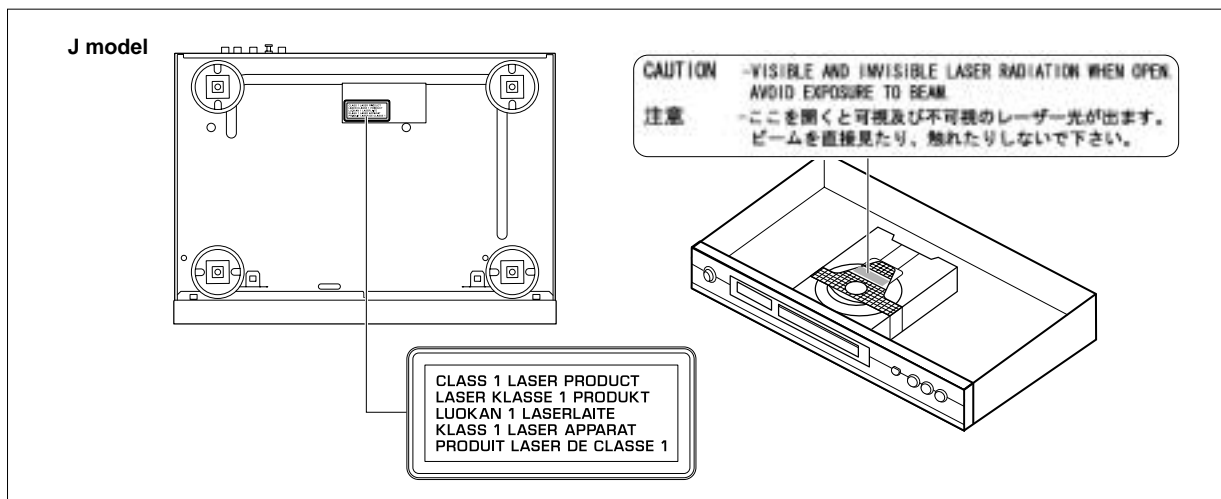
VARNING SYNLIG OCH OSYNLIG LASERSTRÅLNING NÄR DENNA DEL ÄR ÖPPNAD BETRAKTA EJ STRÅLEN

VARO! AVATT AESSA OLET ALTTIINA NÄKYVÄLLE JA NÄKYMÄTTÖMÄLLE LASER SÄTEILYLLE. ÄLÄ KATSO SÄTEESEEN

VORSICHT SICHTBARE UND UNSICHTBARE LASERSTRALUNG WENN ABDECKUNG GEÖFFNET NICHT DEM STRAHL AUSSETZEN

DANGER VISIBLE AND INVISIBLE LASER RADIATION WHEN OPEN. AVOID DIRECT EXPOSURE TO BEAM

ATTENTION RAYONNEMENT LASER VISIBLE ET INVISIBLE EN CAS D'OUVERTURE EXPOSITION DANGEREUSE AU FAISCEAU



Warning for power supply

The primary side of the power supply carries live mains voltage when the player is connected to the mains even when the player is switched off !

This primary area is not shielded so it is possible to touch copper tracks and/or components when servicing the player. Service personnel have to take precautions to prevent touching this area or components in this area .

Note:

The screws on the DVD mechanism may never be touched, removed or re-adjusted.

Handle the DVD mechanism with care when the unit has to be exchanged!

The DVD mechanism is very sensitive for dropping or giving shocks.

■ PREVENTION OF ELECTRO STATIC DISCHARGE

The laser diode in the DVD mechanism may be damaged due to static electricity from clothes or the human body. Use caution to prevent electro static damage when servicing or handling the DVD-mechanism.

1. Grounding for electro static damage prevention

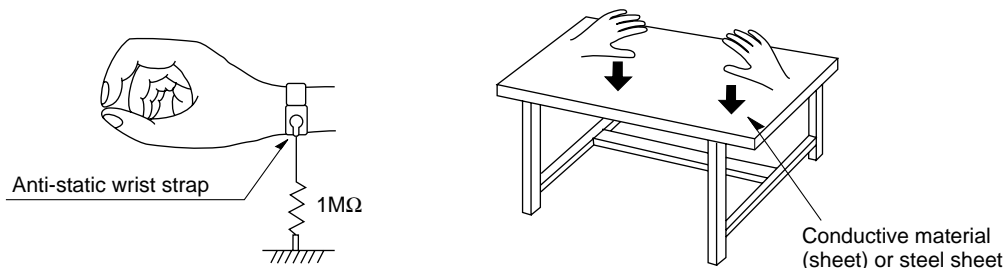
Some devices, such as the DVD player, use an optical pickup (laser diode) that will be damaged by static electricity in the working environment. Only attempt service after ensuring that all grounding procedures have been completed.

1. Worktable grounding

Put a grounded conductive material (sheet) or iron sheet on the area where the optical pickup is placed.

2. Human body grounding

Use an anti-static wrist strap to discharge the static electricity from your body.



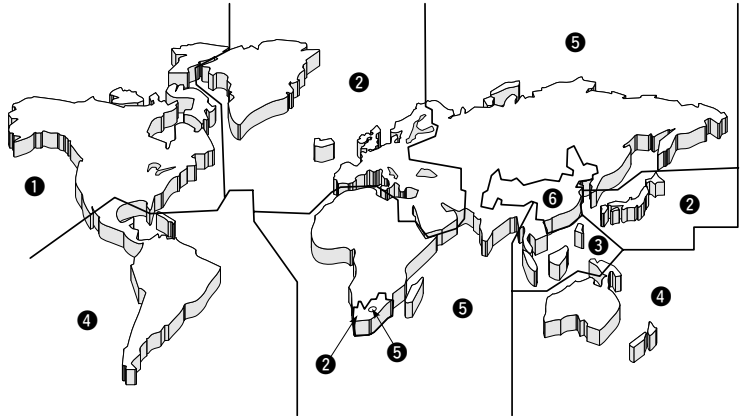
2. Handling Precautions for DVD mechanism

1. Handle the DVD mechanism gently, as it is an extremely high-precision assembly.
2. The flexible cable lines may break if an excessive force is applied to it. Use caution when handling the cable.
3. The semi-fixed resistor for laser power adjustment should not be adjusted. Do not turn the resistor.

■ LOCALE MANAGEMENT INFORMATION

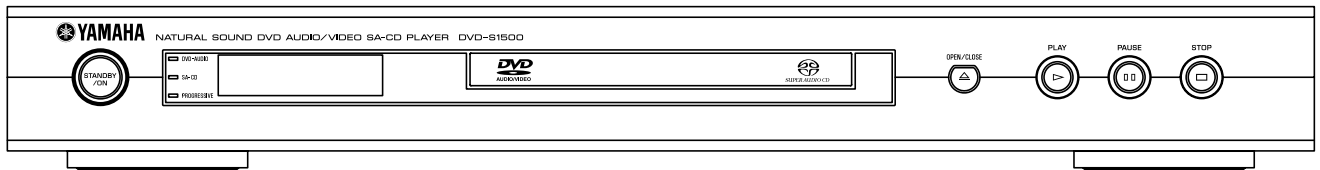
Locale Management Information : This DVD player is designed and manufactured to respond to the Locale Management Information that is recorded on a DVD disc. If the Locale number described on the DVD disc does not correspond to the Locale number of this DVD player, this DVD player cannot play this disc.

This product incorporates copyright protection technology that is protected by method claims of certain U.S. patents and other intellectual property rights owned by Macrovision Corporation and other rights owners. Use of this copyright protection technology must be authorized by Macrovision Corporation, and is intended for home and other limited viewing uses only unless otherwise authorized by Macrovision Corporation. Reverse engineering or disassembly is prohibited.

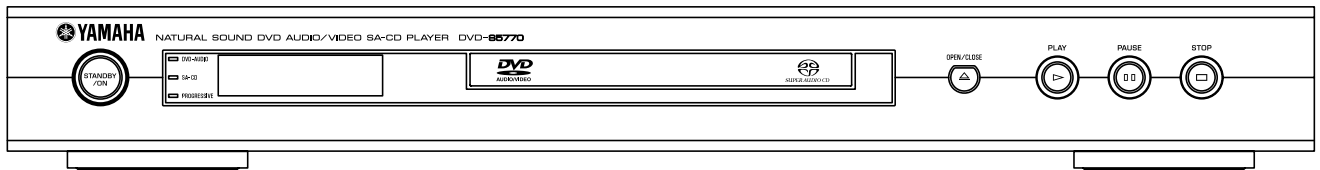


■ FRONT PANELS

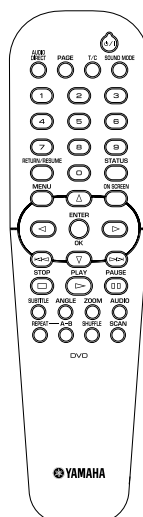
● DVD-S1500



● DV-S5770



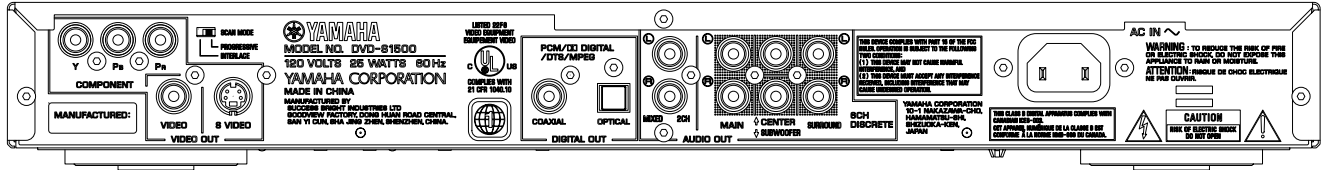
■ REMOTE CONTROL PANEL



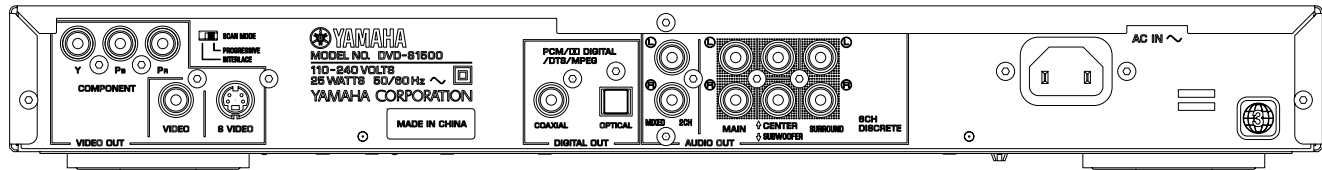
DVD-S1500 /DV-S5770

REAR PANELS

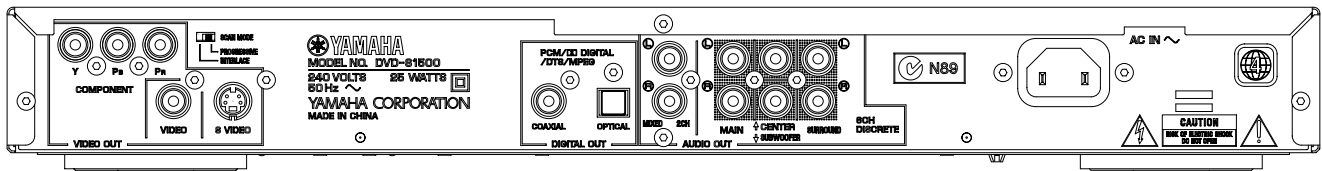
▼ DVD-S1500 (U model)



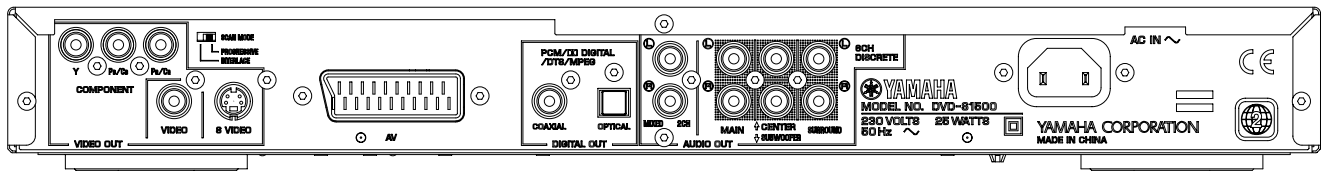
▼ DVD-S1500 (R model)



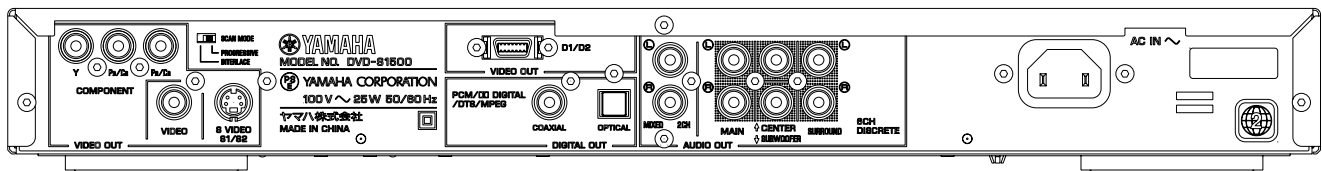
▼ DVD-S1500 (A model)



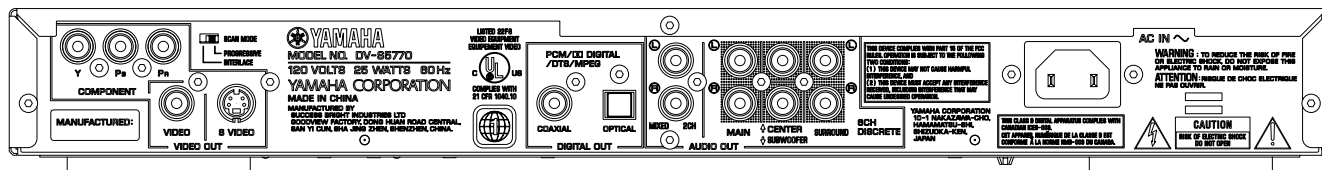
▼ DVD-S1500 (G model)



▼ DVD-S1500 (J model)



▼ DV-S5770 (U model)



DVD-S1500 /DV-S5770

■ SPECIFICATIONS / 参考仕様

PLAYBACK SYSTEM / 対応ディスク

DVD-Audio
 DVD-Video
 Super Audio-CD, Stereo/Multi-channel and Hybrid disc
 DVD+R, DVD+RW
 DVD-R, DVD-RW (Video Format)
 Video CD (VCD)
 Super Video CD (SVCD)
 CD-Audio (CD-DA)
 CD-R/CD-RW (CD-DA, VCD, SVCD)
 MP3, JPEG

VIDEO PERFORMANCE / ビデオ部

Video Output 1 Vpp into 75 ohm
 S-Video Output Y: 1Vpp into 75 ohm
 C: 0.3Vpp into 75 ohm (PAL)
 C: 0.286Vpp into 75 ohm (NTSC)
 Component Video Output Y: 1Vpp into 75 ohm
 Pb/Cb Pr/Cr: 0.7Vpp into 75 ohm
 RGB (SCART) Output 0.7 Vpp into 75 ohm (G model)
 D1/D2 Output D1: 1Vpp into 75 ohm (J model)
 D2: 0.7Vpp into 75 ohm (J model)

AUDIO FORMAT / オーディオフォーマット

DSD Multi-channel and Stereo
 Dolby Digital/DTS/MPEG Compressed Digital
 PCM/Packed PCM fs.48, 96, 192, and 44.1, 88.2
 176.4 kHz 16, 20, 24 bits
 MP3 (ISO9660) 32, 44.1, 48, and 16, 22.05, 24 kHz
 Full decoding of Dolby Digital, DTS and MPEG multi-channel sound/
 analogue stereo sound
 Dolby Surround-compatible downmix from Dolby Digital multi-channel
 sound
 3D Sound for virtual 5.1 channel sound on two speakers
 Dolby Pro Logic II 5.1 ch decoding from the stereo source

AUDIO PERFORMANCE / オーディオ特性

DA Converter 24 bits
 Signal-Noise Ratio 115 dB
 Dynamic Range (DVD 48 kHz 24 bit) 103 dB
 (Super Audio CD) 107 dB
 DVD fs 96 kHz 2 Hz – 44 kHz
 CD/VCD fs 44.1 kHz 2 Hz – 20 kHz
 Distortion and Noise (1 kHz) 0.0017% (DVD 48 kHz
 24 bit)

TV STANDARD (PAL/50Hz) (NTSC/60Hz)

Number of lines 625 525
 Playback Multistandard (PAL/NTSC)

CONNECTIONS / 接続端子

Y Output Cinch (green)
 Pb/Cb Output Cinch (blue)
 Pr/Cr Output Cinch (red)
 SCART Euroconnector (G model)
 D Terminal (J model)
 S-Video Output Mini DIN, 4 pins

Video Output Cinch (yellow)
 Audio Output (L+R) Cinch (white/red)
 Digital Output 1 coaxial, 1 optical
 6 channel Analog Output
 • Audio Main L/R Cinch (white/red)
 • Audio Surround L/R Cinch (white/red)
 • Audio Center Cinch (blue)
 • Audio Subwoofer Cinch (black)

GENERAL / 一般

Dimensions (w x h x d) 435 x 55 x 315 mm
 (17-1/8" x 2-3/16" x 12-3/8")
 Weight Approx. 3.2 Kg (7 lbs 1 oz)
 Finish
 • DVD-S1500 Gold Color (R, J models)
 Black Color (U, A, G models)
 Titanium Color (G model)
 • DV-S5770 Silver Color (U model)
 Power Supply AC120V, 60Hz (U model)
 AC230V, 50Hz (G model)
 AC240V, 50Hz (A model)
 AC110-240V, 50/60Hz (R model)
 AC100V, 50/60Hz (J model)
 Power Consumption 25W
 Standby Power Consumption (reference data) 1W

ACCESSORIES / 付属品

Remote Control, Batteries x 2, Power Cable
 Audio/Video Cable (U, R, A, J models)
 Audio Pin Cable (G model)
 Video Cable (G model)

* Specifications subject to change without prior notice.

U USA model G European model
 R General model J Japanese model
 A Australian model



Manufactured under license from Dolby Laboratories. "Dolby" and the double-D symbol are trademarks of Dolby Laboratories.



"DTS" and "DTS Digital Surround" are registered trademarks of Digital Theater Systems, Inc.



"DCDi" is a trademark of Faroudja, a division of Genesis Microchip, Inc.

This product incorporates copyright protection technology that is protected by method claims of certain U.S. patents and other intellectual property rights owned by Macrovision Corporation and other rights owners.

Use of this copyright protection technology must be authorized by Macrovision Corporation, and is intended for home and other limited viewing uses only unless otherwise authorized by Macrovision Corporation. Reverse engineering or disassembly is prohibited.



ドルビーラボラトリーズからの実施権により製造されています。「ドルビー」及びダブルD記号は、ドルビーラボラトリーズの商標です。



DTSおよびDTS Digital Surroundは、デジタルシアターシステムの登録商標です。



DCDiは、Genesis Microchip, Inc.の事業部門であるFaroudjaの商標です。

本製品は、著作権保護技術を採用しており、マクロビジョン社及びその他の著作権者が保有する米国特許及びその他の知的財産権によって保護されています。この著作権保護技術の使用は、マクロビジョン社の許可が必要で、またマクロビジョン社の特別な許可がない限り家庭用及びその他の一部の視聴用の使用に制限されています。分解したり、改造することも禁じられています。

■ SERVICE HINTS / サービスヒント

● Repair Tips

1. DVD Module

The DVD mechanism and MONO board together as a set is called "DVD module". When a failure has occurred in the DVD module, it must be replaced as a complete set. Neither the DVD mechanism nor the MONO board can be replaced as an individual unit.

2. Power Supply Unit

When a failure has occurred in the power supply unit, it must be replaced.

3. PCB Assembly

When a failure has occurred in the FRONT, AV, PSCAN or HDMI D2 P.C.B., replace each P.C.B.

修理についての助言

1. DVD モジュール

DVD メカと MONO ボードをセットしたものを DVD モジュールと呼びます。

DVD モジュールに故障が発生した場合は、必ず DVD モジュールを交換してください。

DVD メカまたは、MONO ボードを単品で交換することはできません。

2. 電源ユニット

故障の場合は、電源ユニットを交換してください。

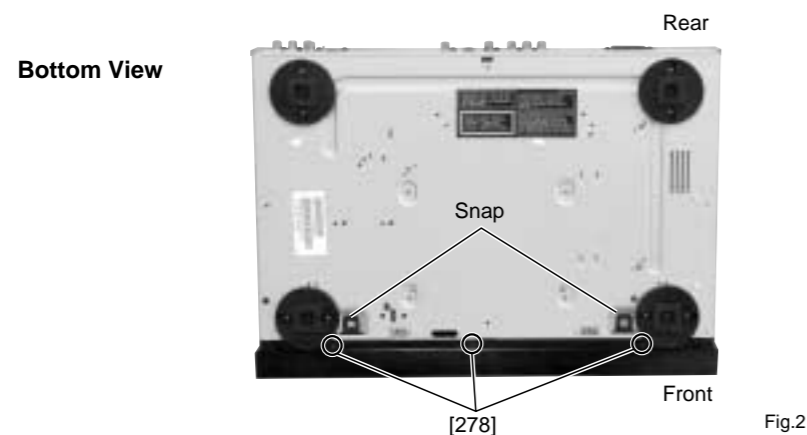
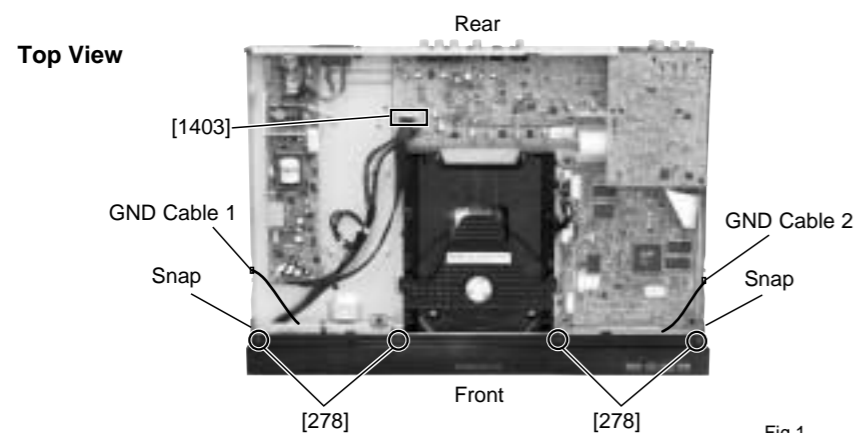
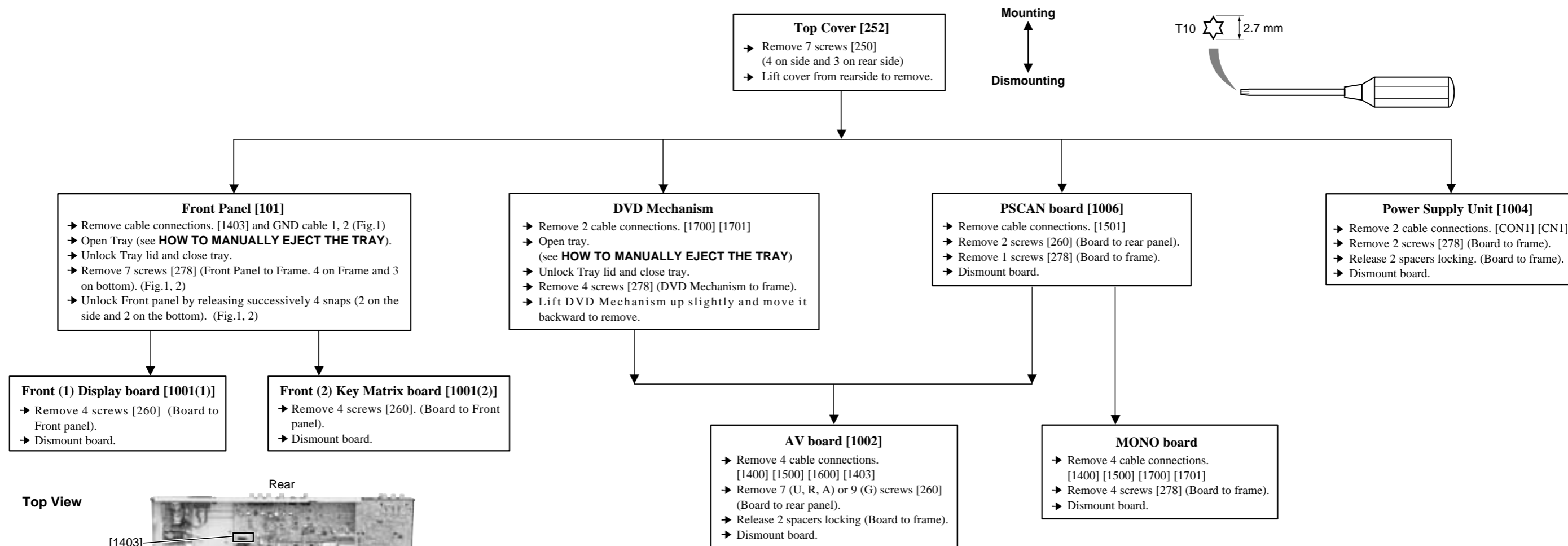
3. PCB Ass'y

FRONT ボード、AV ボード、PSCAN ボード、HDMI D2 ボードが故障の場合は、各 PCB を交換してください。

DISASSEMBLY PROCEDURES

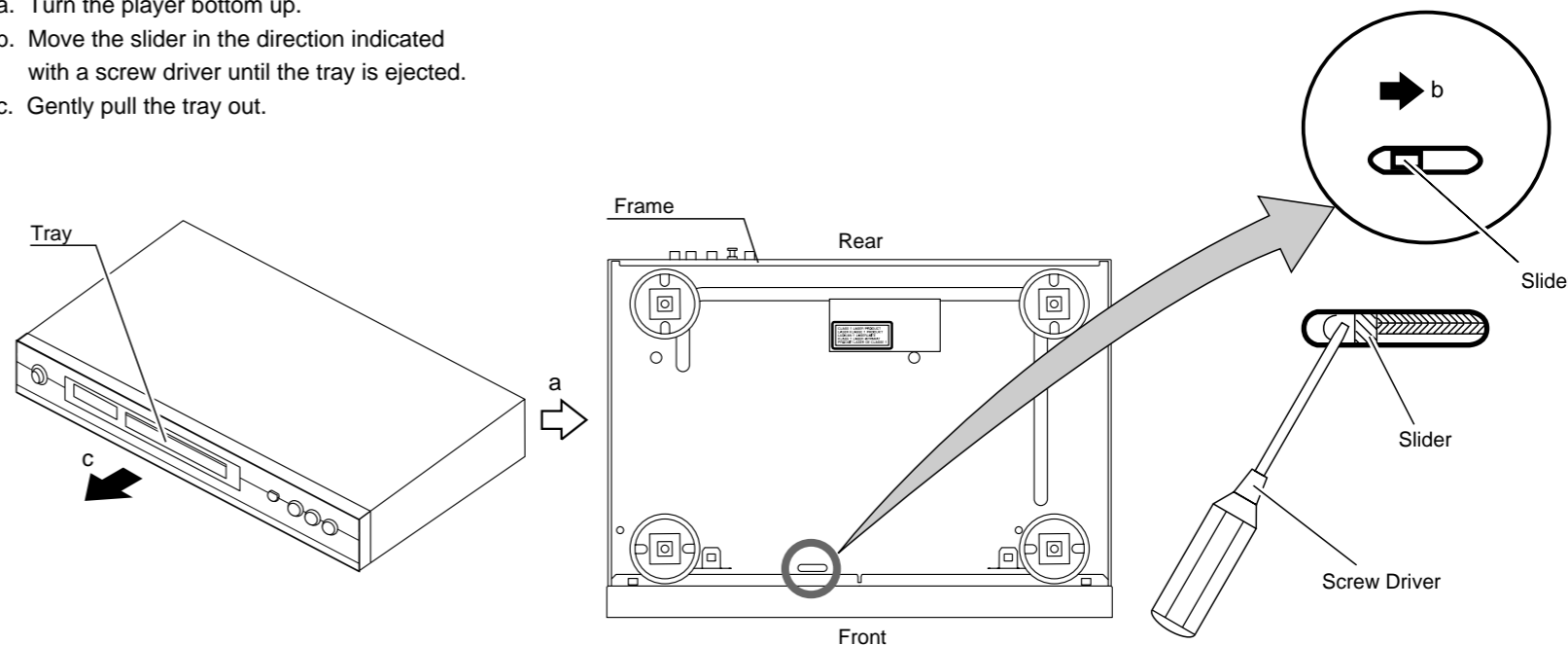
See **EXPLODED VIEW** for item numbers.

When disassembling, use the special screw driver with tip shape in figure.



HOW TO MANUALLY EJECT THE TRAY

- Turn the player bottom up.
- Move the slider in the direction indicated with a screw driver until the tray is ejected.
- Gently pull the tray out.



■ 分解手順

項目番号については分解図を参照してください。

分解には図のような特殊ドライバーを使用します。

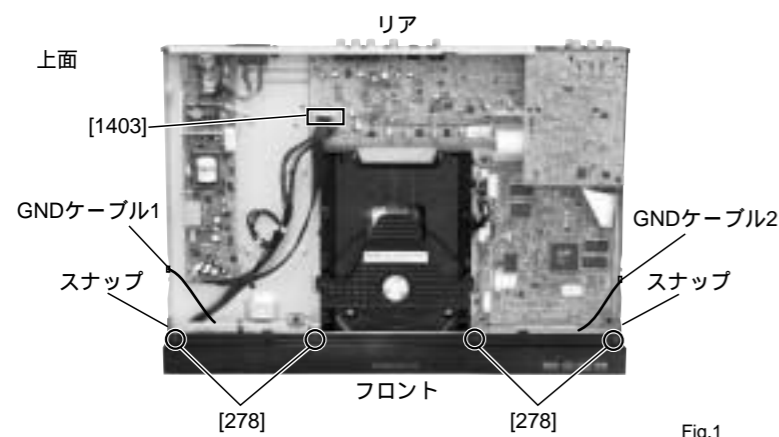
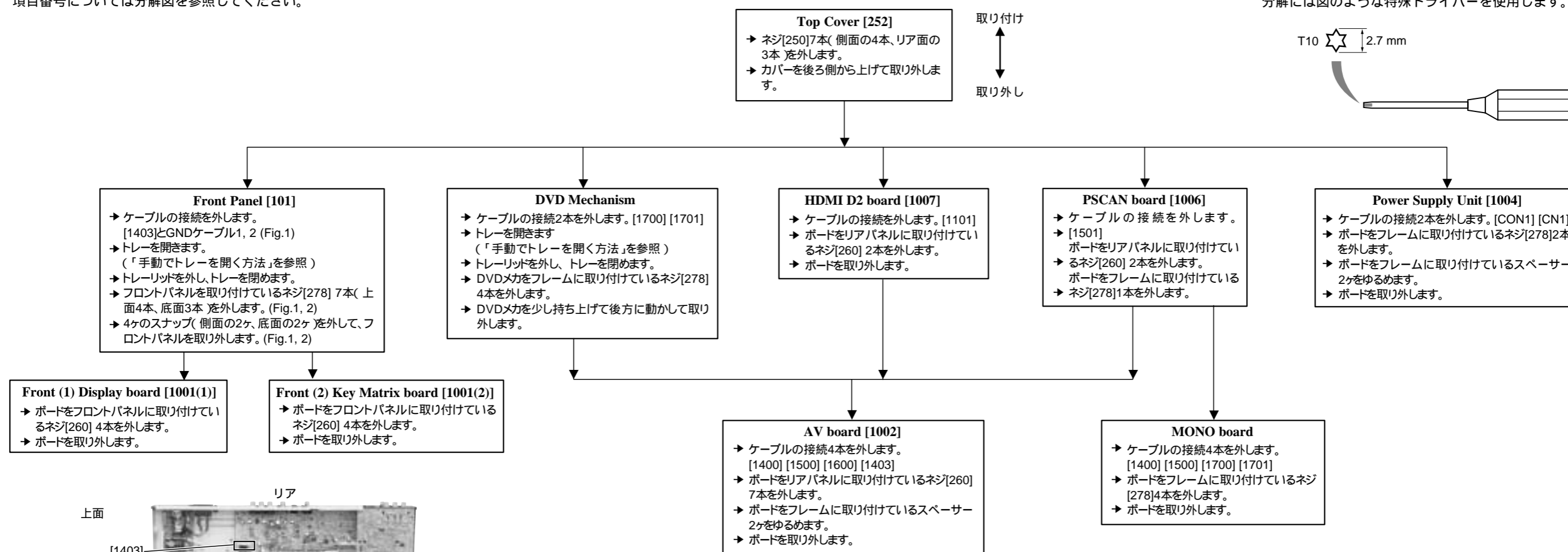
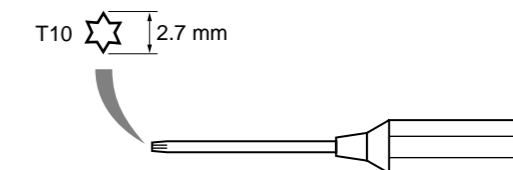


Fig.1

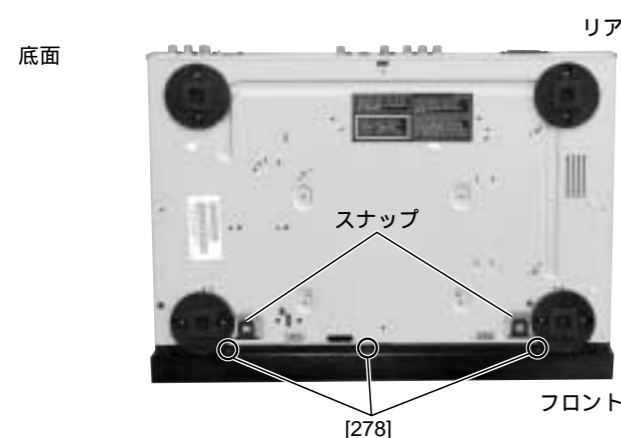
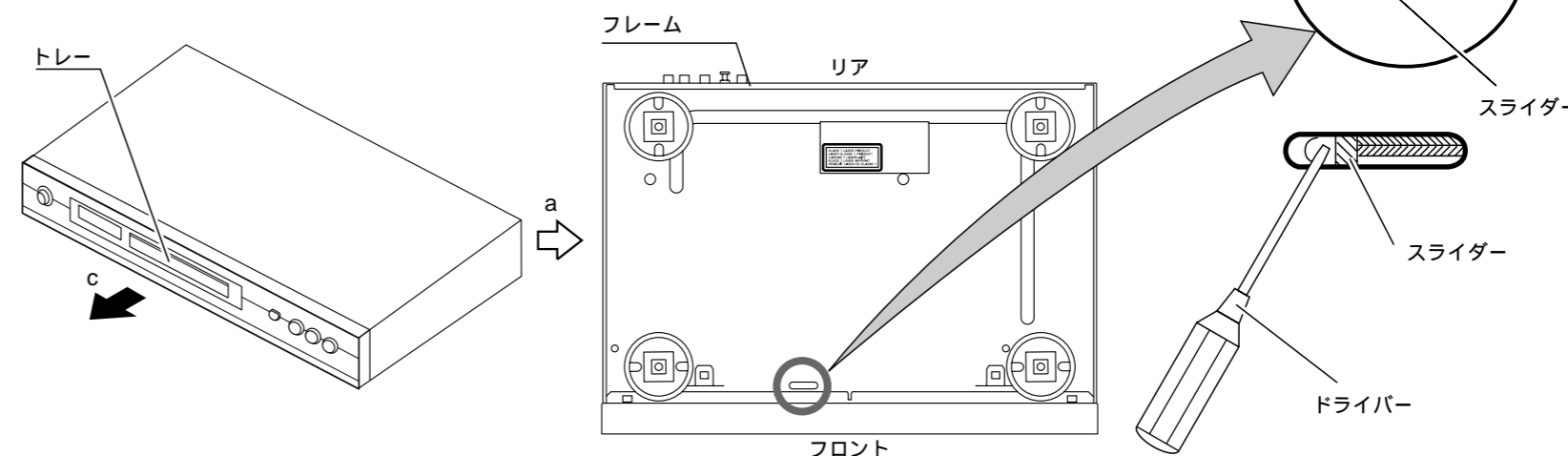


Fig.2

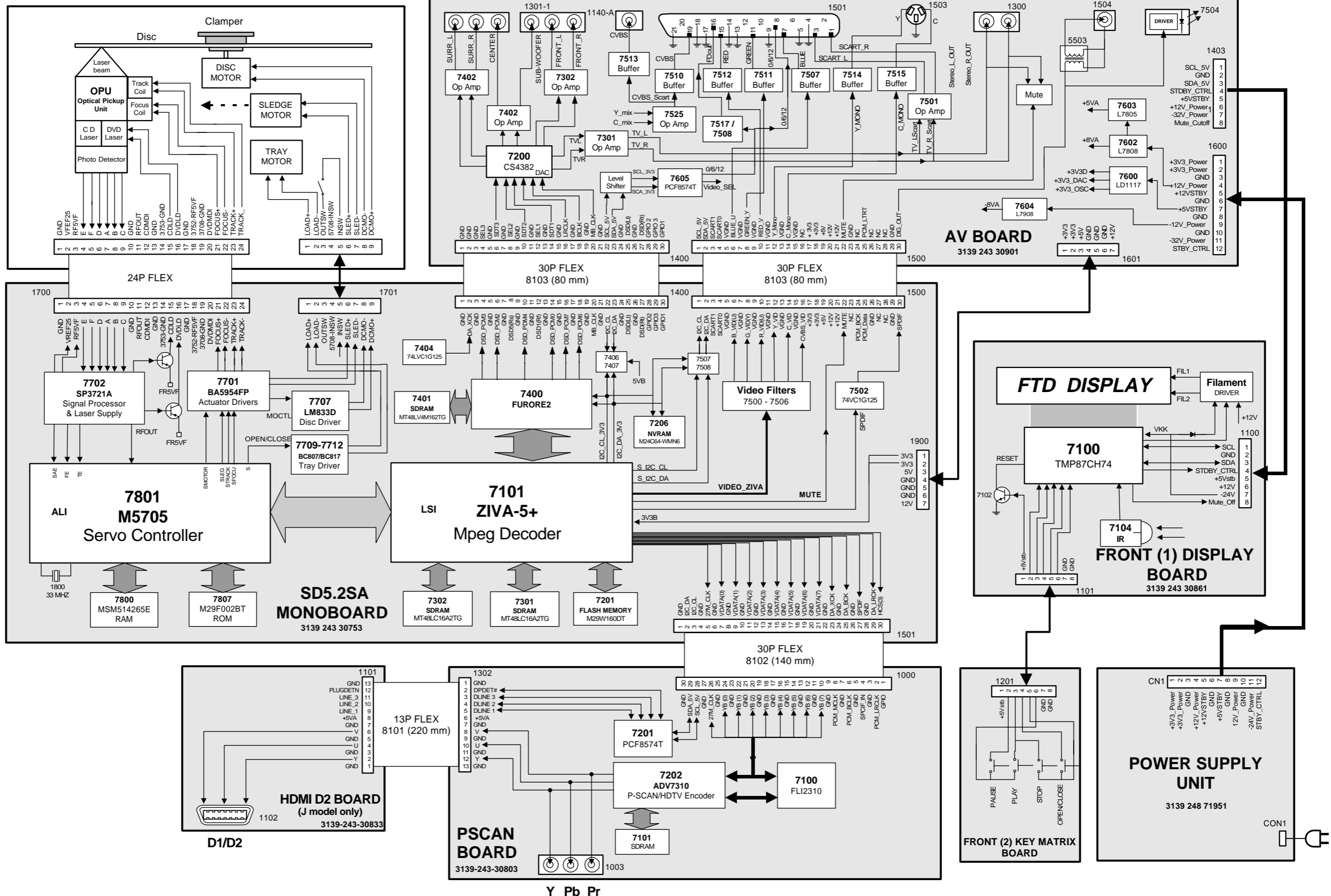
手動でトレイを開く方法

- 本体を上下反転します。
- トレイが出てくるまで、ドライバーでスライダを図に示す矢印の方向に動かします。
- トレイをそっと引き出します。



■ BLOCK DIAGRAM

DVD Mechanism
Actima A97HL loader

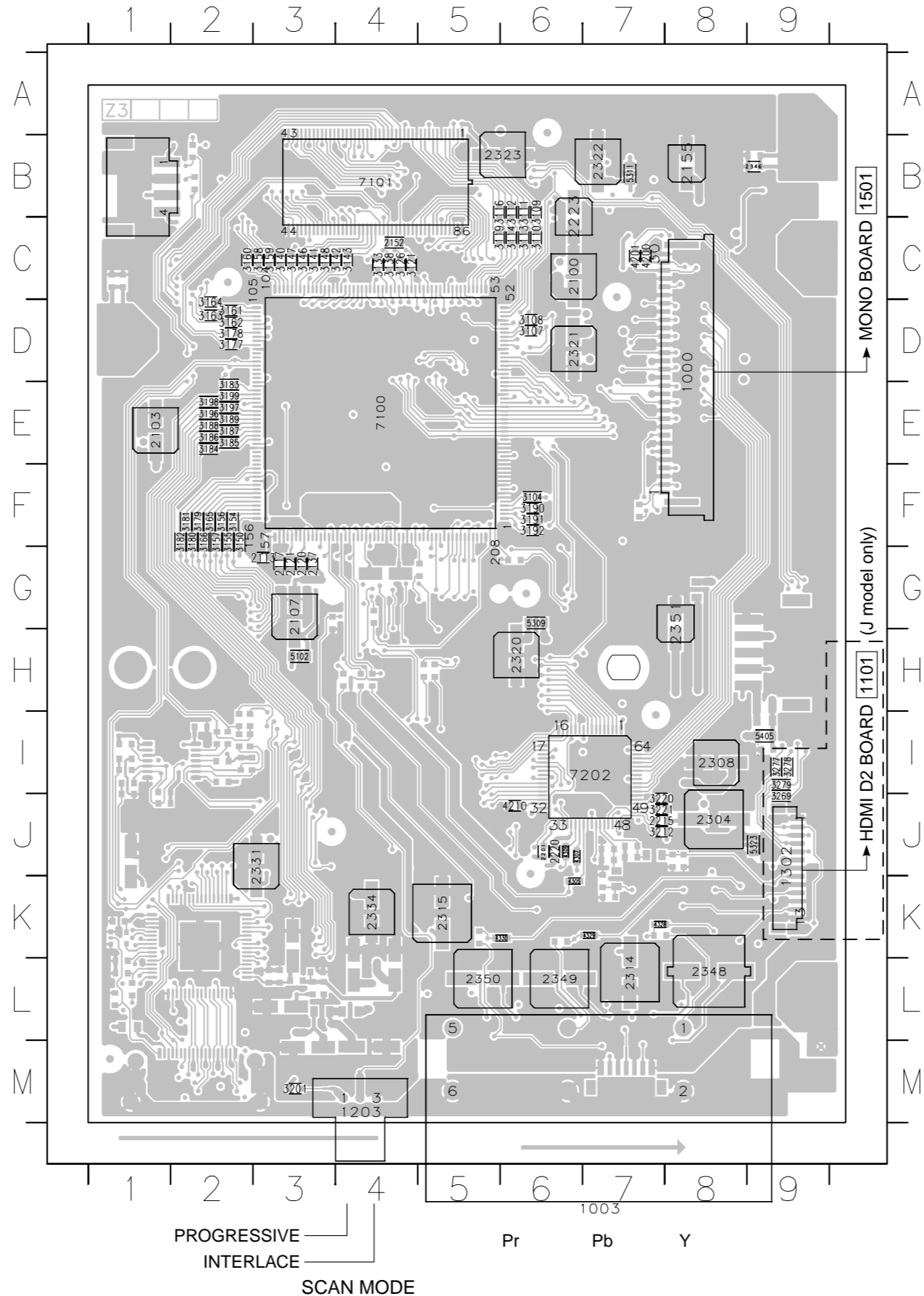


■ PRINTED CIRCUIT BOARD
FOR INFORMATION ONLY (NO SERVICE PARTS WILL BE AVAILABLE)

The first digit of a component indicates the component type.

1xxx : Connector 3xxx : Resistor 5xxx : Coil 7xxx : IC, Transistor, FET
2xxx : Capacitor 4xxx : SMD jumper 6xxx : Diode 9xxx : Wire jumper

PSCAN Board Top View



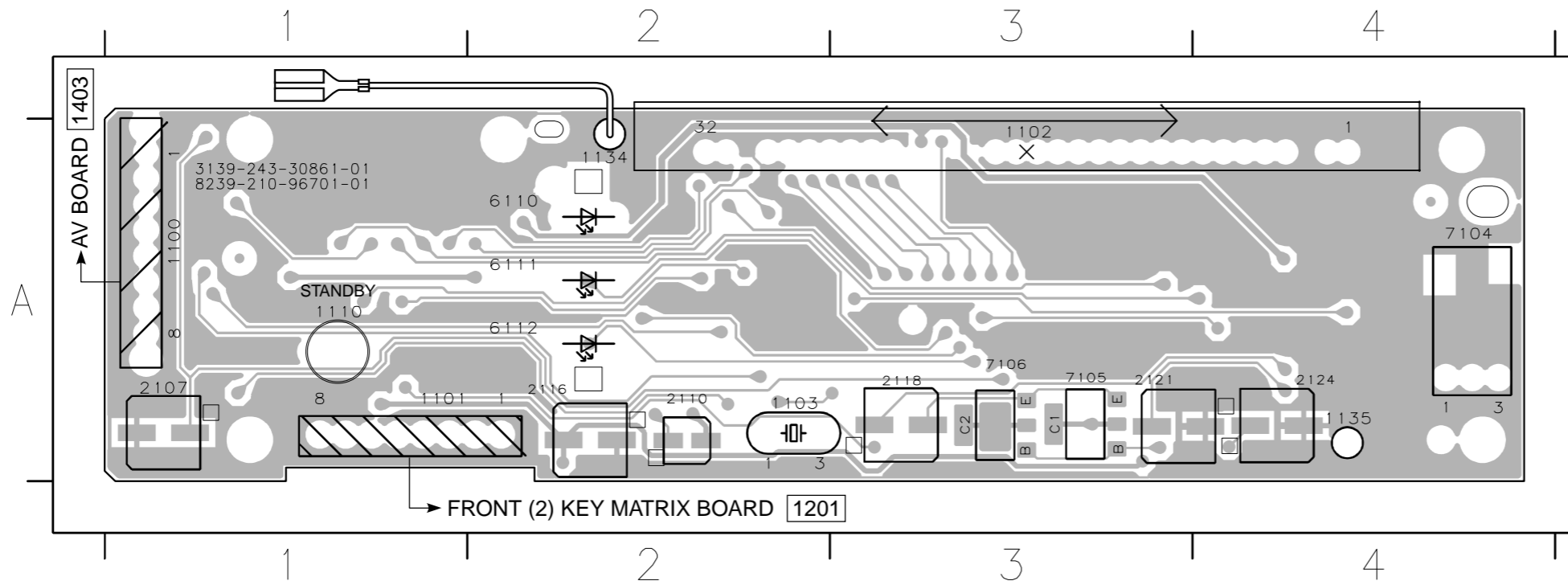
10	11	12	13	14	15	16	17	18	19	20	21	22	23	24	25	26	27	28	29	30	31	32	33	34	35	36	37	38	39	40	41	42	43	44	45	46	47	48	49	50	51	52	53	54	55	56	57	58	59	60	61	62	63	64	65	66	67	68	69	70	71	72	73	74	75	76	77	78	79	80	81	82	83	84	85	86	87	88	89	90	91	92	93	94	95	96	97	98	99	100										
100	101	102	103	104	105	106	107	108	109	110	111	112	113	114	115	116	117	118	119	120	121	122	123	124	125	126	127	128	129	130	131	132	133	134	135	136	137	138	139	140	141	142	143	144	145	146	147	148	149	150	151	152	153	154	155	156	157	158	159	160	161	162	163	164	165	166	167	168	169	170	171	172	173	174	175	176	177	178	179	180	181	182	183	184	185	186	187	188	189	190	191	192	193	194	195	196	197	198	199	200

■ PRINTED CIRCUIT BOARD
FOR INFORMATION ONLY (NO SERVICE PARTS WILL BE AVAILABLE)

The first digit of a component indicates the component type.

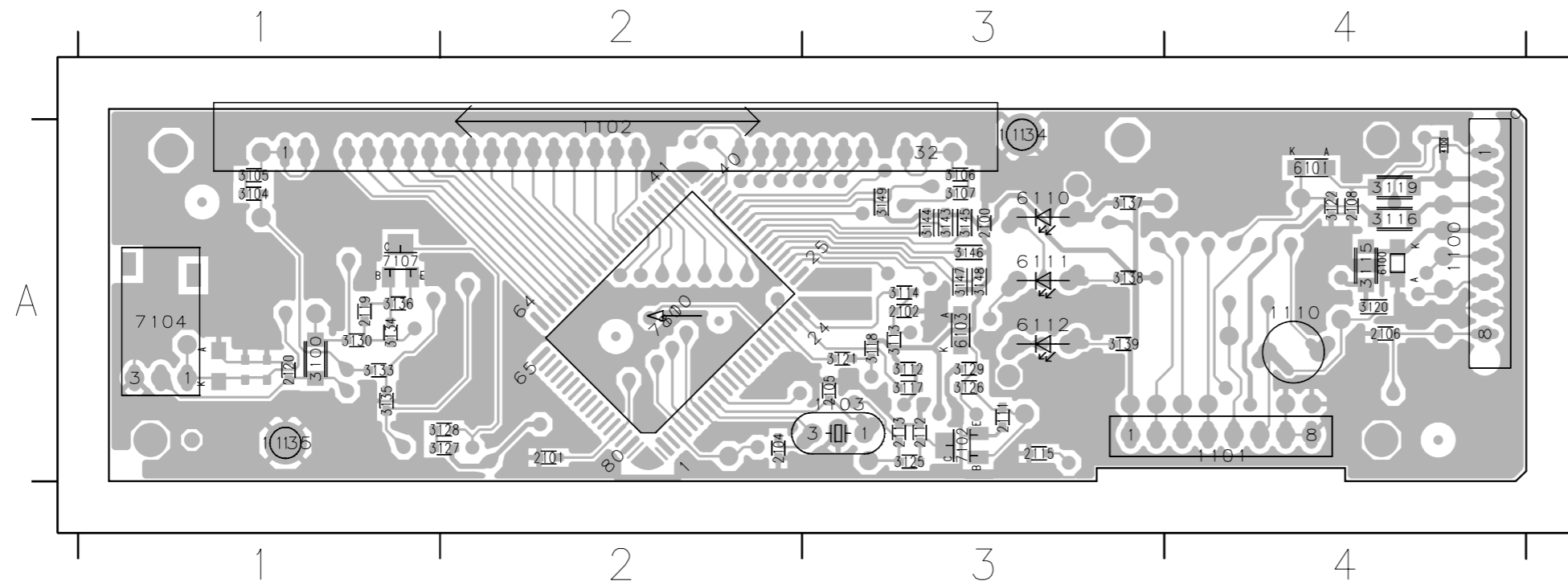
1xxx : Connector 3xxx : Resistor 5xxx : Coil 7xxx : IC, Transistor, FET
2xxx : Capacitor 4xxx : SMD jumper 6xxx : Diode 9xxx : Wire jumper

FRONT (1) DISPLAY Board Top View



1100	A1
1101	A1
1102	A3
1103	A2
1110	A1
1134	A2
1135	A4
2107	A1
2110	A2
2116	A2
2118	A3
2121	A3
2124	A4
6110	A2
6111	A2
6112	A2
7104	A4
7105	A3
7106	A3

FRONT (1) DISPLAY Board Bottom View



2107	A3
1100	A3
1101	A3
1102	A2
1103	A3
1104	A2
1105	A3
1106	A3
1107	A3
1108	A3
1109	A3
1110	A1
1111	A1
1112	A1
1113	A1
1114	A1
1115	A3
1116	A3
1117	A3
1118	A3
1119	A3
1120	A3
1121	A3
1122	A3
1123	A3
1124	A3
1125	A3
1126	A3
1127	A3
1128	A3
1129	A3
1130	A3
1131	A3
1132	A3
1133	A3
1134	A2
1135	A4
1136	A3
1137	A3
1138	A3
1139	A3
1140	A3
1141	A3
1142	A3
1143	A3
1144	A3
1145	A3
1146	A3
1147	A3
1148	A3
1149	A3
1150	A3
1151	A3
1152	A3
1153	A3
1154	A3
1155	A3
1156	A3
1157	A3
1158	A3
1159	A3
1160	A3
1161	A3
1162	A3
1163	A3
1164	A3
1165	A3
1166	A3
1167	A3
1168	A3
1169	A3
1170	A3
1171	A3
1172	A3
1173	A3
1174	A3
1175	A3
1176	A3
1177	A3
1178	A3
1179	A3
1180	A3
1181	A3
1182	A3
1183	A3
1184	A3
1185	A3
1186	A3
1187	A3
1188	A3
1189	A3
1190	A3
1191	A3
1192	A3
1193	A3
1194	A3
1195	A3
1196	A3
1197	A3
1198	A3
1199	A3
1200	A3
1201	A3
1202	A3
1203	A3
1204	A3
1205	A3
1206	A3
1207	A3
1208	A3
1209	A3
1210	A3
1211	A3
1212	A3
1213	A3
1214	A3
1215	A3
1216	A3
1217	A3
1218	A3
1219	A3
1220	A3
1221	A3
1222	A3
1223	A3
1224	A3
1225	A3
1226	A3
1227	A3
1228	A3
1229	A3
1230	A3
1231	A3
1232	A3
1233	A3
1234	A3
1235	A3
1236	A3
1237	A3
1238	A3
1239	A3
1240	A3
1241	A3
1242	A3
1243	A3
1244	A3
1245	A3
1246	A3
1247	A3
1248	A3
1249	A3
1250	A3
1251	A3
1252	A3
1253	A3
1254	A3
1255	A3
1256	A3
1257	A3
1258	A3
1259	A3
1260	A3
1261	A3
1262	A3
1263	A3
1264	A3
1265	A3
1266	A3
1267	A3
1268	A3
1269	A3
1270	A3
1271	A3
1272	A3
1273	A3
1274	A3
1275	A3
1276	A3
1277	A3
1278	A3
1279	A3
1280	A3
1281	A3
1282	A3
1283	A3
1284	A3
1285	A3
1286	A3
1287	A3
1288	A3
1289	A3
1290	A3
1291	A3
1292	A3
1293	A3
1294	A3
1295	A3
1296	A3
1297	A3
1298	A3
1299	A3
1300	A3

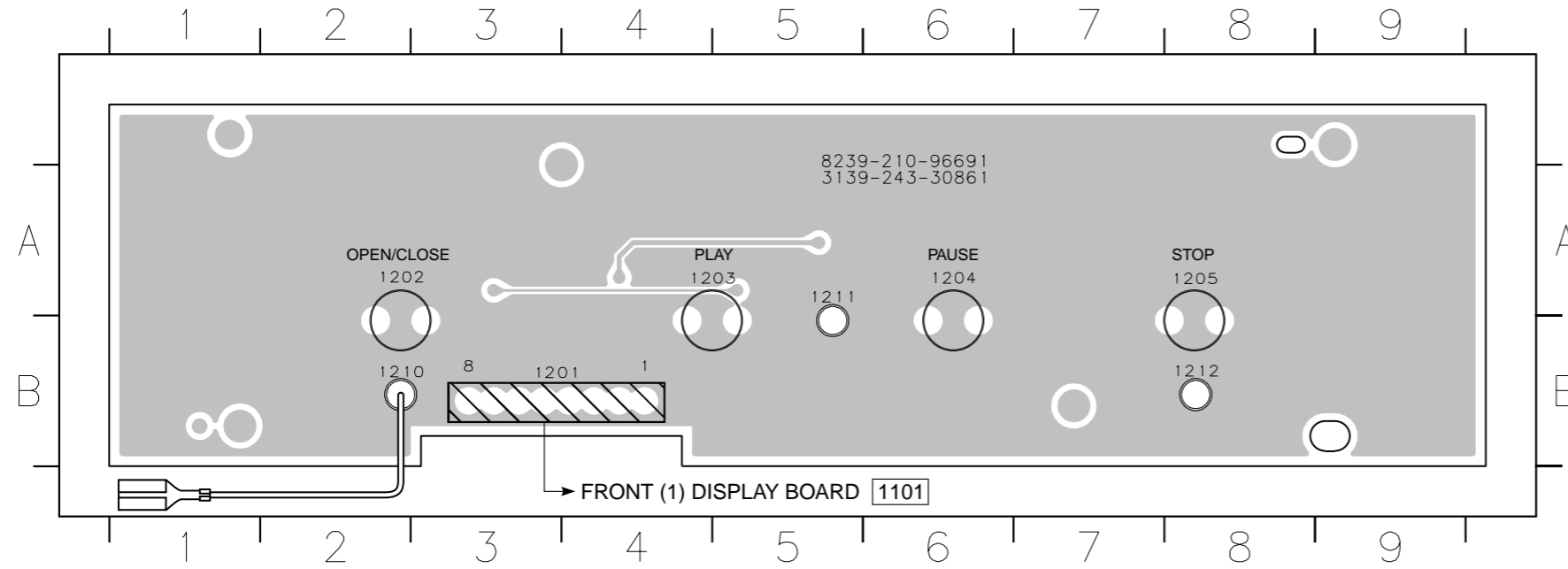
The first digit of a component indicates the component type.

- 1xxx : Connector 3xxx : Resistor 5xxx : Coil 7xxx : IC, Transistor, FET
- 2xxx : Capacitor 4xxx : SMD jumper 6xxx : Diode 9xxx : Wire jumper

■ PRINTED CIRCUIT BOARD
FOR INFORMATION ONLY (NO SERVICE PARTS WILL BE AVAILABLE)

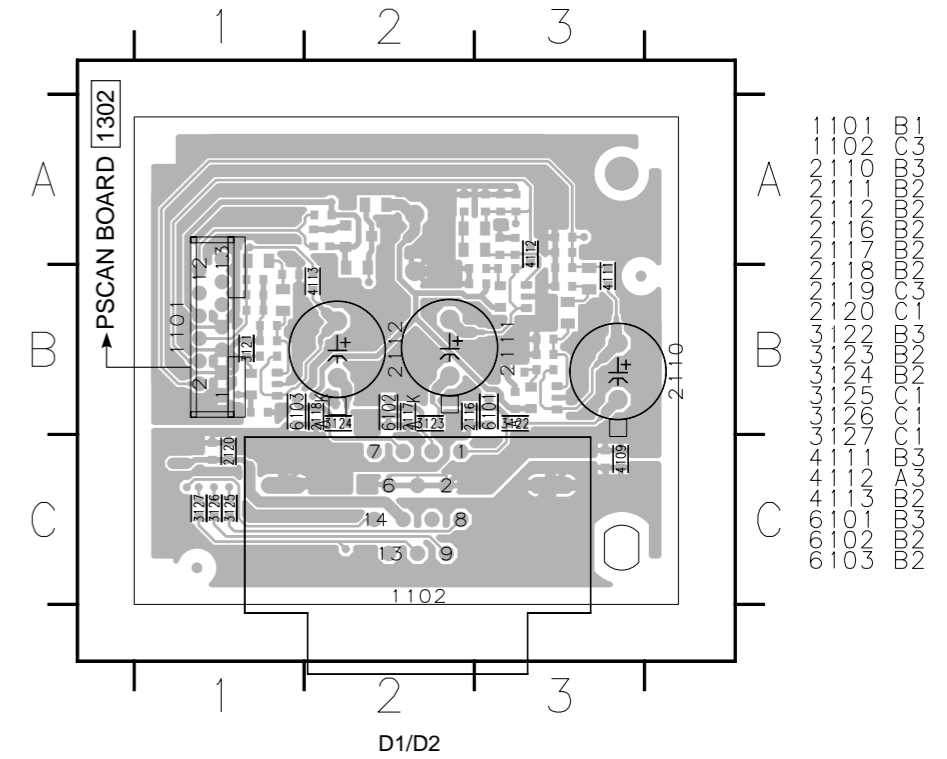
FRONT (2) KEY MATRIX Board Top View

- 1101 B3 1205 A8
- 1202 A2 1210 B2
- 1203 A4 1211 B5
- 1204 A6 1212 B8



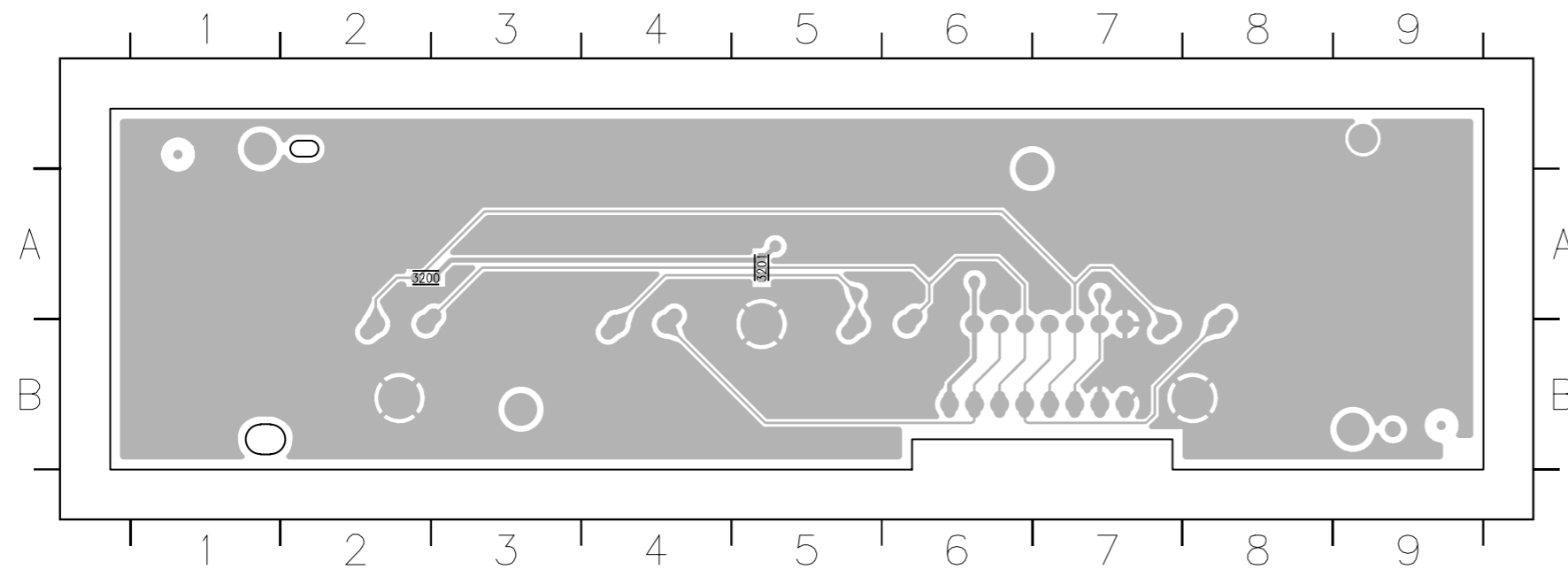
HDMI D2 Board Top View

(J model only)



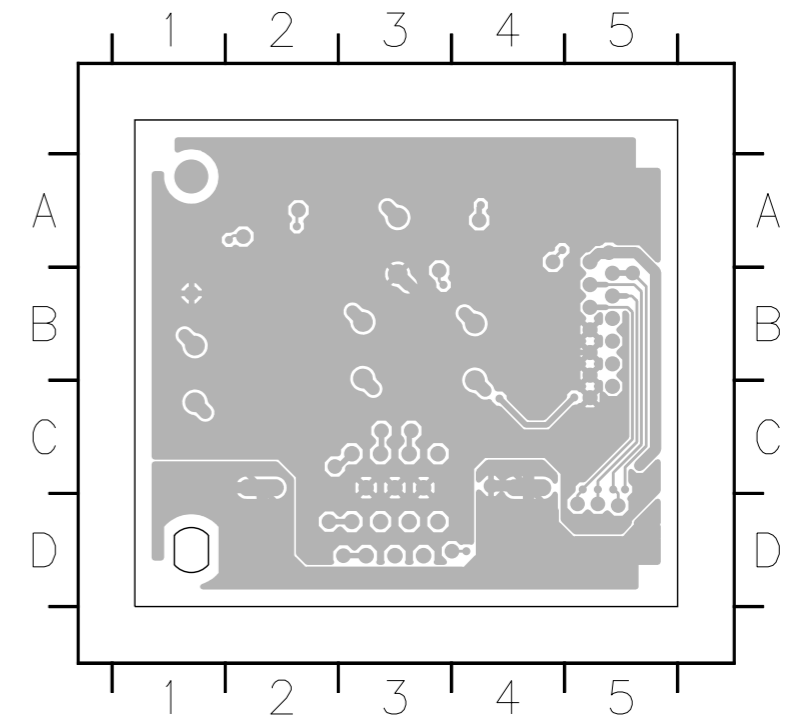
FRONT (2) KEY MATRIX Board Bottom View

- 3200 A2
- 3201 A5



HDMI D2 Bottom View

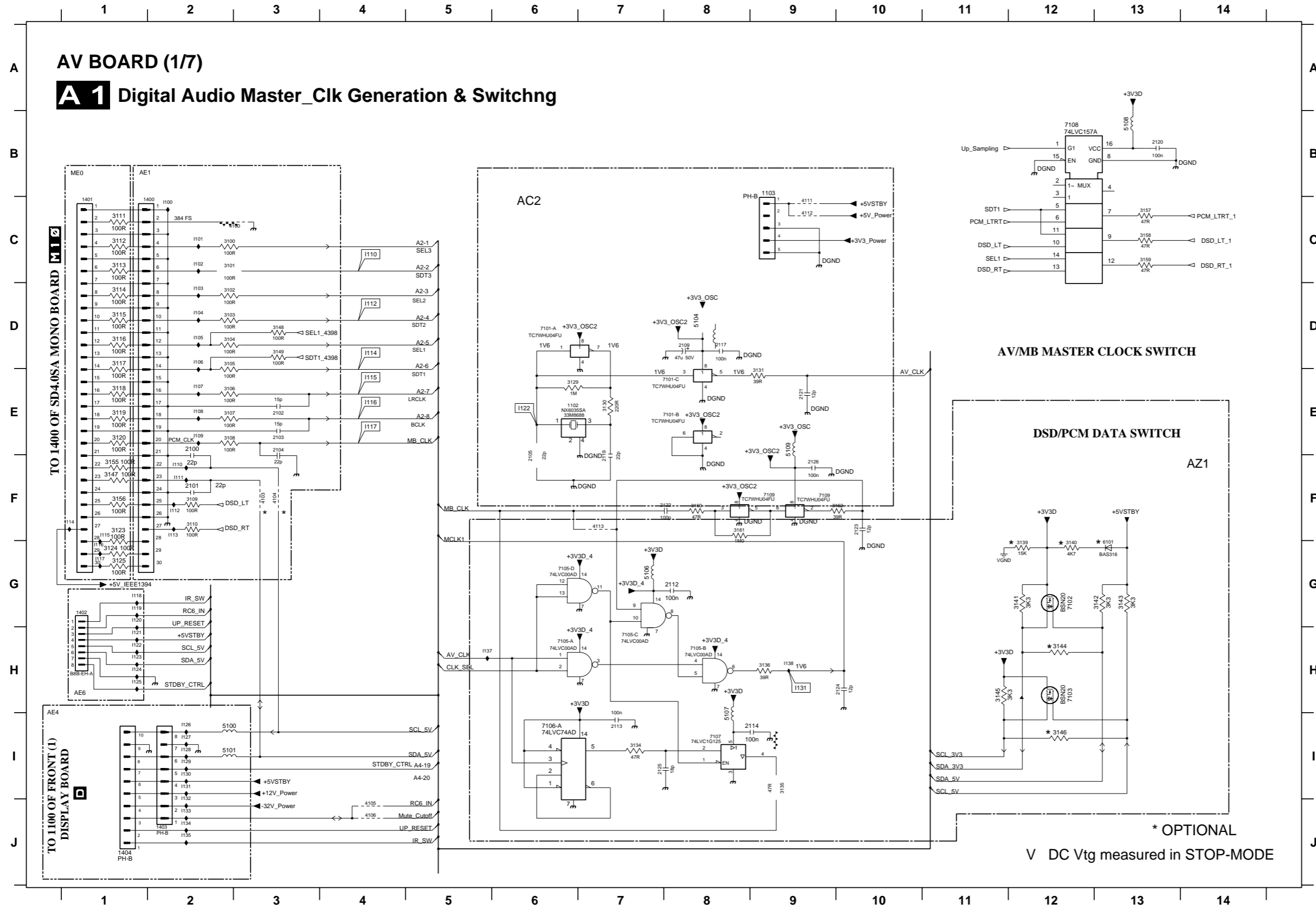
(J model only)



■ SCHEMATIC DIAGRAM
FOR INFORMATION ONLY (NO SERVICE PARTS WILL BE AVAILABLE)

The first digit of a component indicates the component type.

1xxx : Connector 3xxx : Resistor 5xxx : Coil 7xxx : IC, Transistor, FET
2xxx : Capacitor 4xxx : SMD jumper 6xxx : Diode 9xxx : Wire jumper



- 1102 E6
- 1103 B9
- 1400 C2
- 1401 C1
- 1402 G1
- 1403 J2
- 1404 J1
- 2100 E2
- 2101 F2
- 2102 E3
- 2103 E3
- 2104 E3
- 2105 F6
- 2109 D8
- 2112 G8
- 2113 I7
- 2114 B9
- 2117 D8
- 2119 F7
- 2120 B13
- 2121 E9
- 2122 F8
- 2123 F10
- 2124 H10
- 2125 I7
- 2126 F9
- 3100 C2
- 3101 C2
- 3102 D2
- 3103 D2
- 3104 D2
- 3105 D2
- 3106 E2
- 3107 E2
- 3108 E2
- 3109 F2
- 3110 F2
- 3111 C1
- 3112 C1
- 3113 C1
- 3114 D1
- 3115 D1
- 3116 D1
- 3117 D1
- 3118 E1
- 3119 E1
- 3120 E1
- 3123 F1
- 3124 G1
- 3125 G1
- 3129 E6
- 3130 E7
- 3131 E9
- 3134 I7
- 3135 I9
- 3136 B9
- 3139 G12
- 3140 G12
- 3141 G12
- 3142 G13
- 3143 G13
- 3144 H12
- 3145 H11
- 3146 H12
- 3147 F1
- 3148 D3
- 3149 D3
- 3155 F1
- 3156 F1
- 3157 C13
- 3158 C13
- 3159 C13
- 3160 F8
- 3161 F8
- 3162 F10
- 4100 C3
- 4103 F3
- 4104 F3
- 4105 J4
- 4106 J4
- 4111 C9
- 4112 C9
- 4113 F7
- 5100 I2
- 5101 I2
- 5104 D8
- 5106 G7
- 5107 B8
- 5108 B13
- 5109 E9
- 6101 G13
- 7101-A D6
- 7101-B E7
- 7101-C E7
- 7102 G12
- 7103 H12
- 7105-A H6
- 7105-B H8
- 7105-C H7
- 7105-D G6
- 7106-A I6
- 7107 B8
- 7108 B12
- 7109 F9
- 7109 F9
- H00 C2
- H01 C2
- H02 C2
- H03 D2
- H04 D2
- H05 D2
- H06 D2
- H07 E2
- H08 E2
- H09 E2
- H10 F2
- H11 F2
- H12 F2
- H13 F2
- H14 F1
- H15 F1
- H16 G1
- H17 G1
- H18 G1
- H19 G1
- H20 G1
- H21 H1
- H22 H1
- H23 H1
- H24 H1
- H25 H1
- H26 I2
- H27 I2
- H28 I2
- H29 I2
- H30 I2
- H31 I2
- H32 I2
- H33 J2
- H34 J2
- H35 J2
- H37 H5
- H38 H9

CLK_SEL	M_CLK
Hi	AV_CLK
Low	MB_CLK

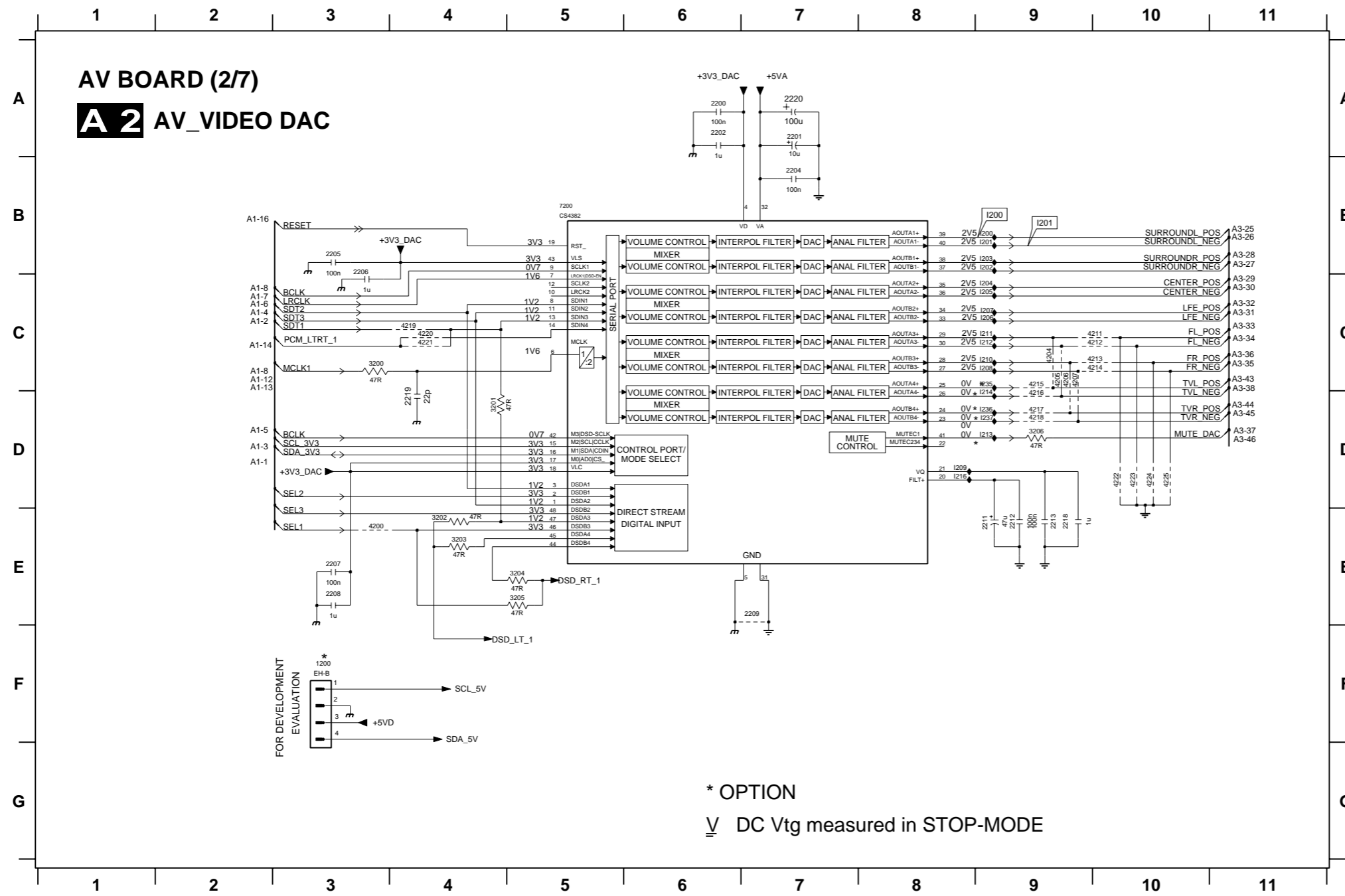
* OPTIONAL
V DC Vtg measured in STOP-MODE

* Components having special characteristics are marked Δ and must be replaced with parts having specifications equal to those originally installed.
* Schematic diagram is subject to change without notice.

SCHEMATIC DIAGRAM
FOR INFORMATION ONLY (NO SERVICE PARTS WILL BE AVAILABLE)

The first digit of a component indicates the component type.

- 1xxx : Connector 3xxx : Resistor 5xxx : Coil 7xxx : IC, Transistor, FET
- 2xxx : Capacitor 4xxx : SMD jumper 6xxx : Diode 9xxx : Wire jumper



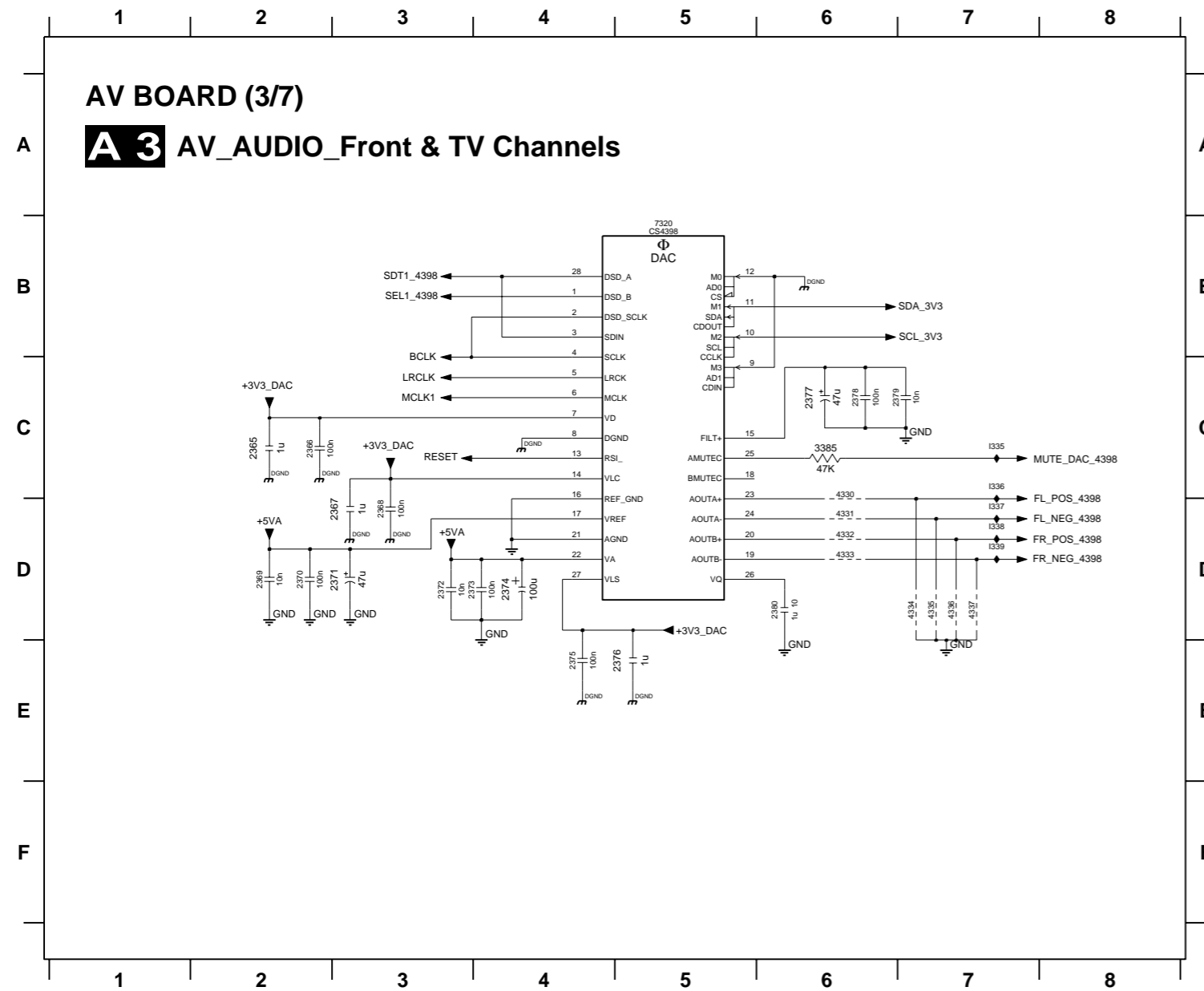
- 1200 F3
- 2200 A6
- 2201 A7
- 2202 A6
- 2204 B7
- 2205 B3
- 2206 C3
- 2207 E3
- 2208 E3
- 2209 E7
- 2211 E9
- 2212 E9
- 2213 E9
- 2218 E9
- 2219 D4
- 2220 A7
- 3200 C3
- 3201 D4
- 3202 E4
- 3203 E4
- 3204 E5
- 3205 E5
- 3206 D9
- 4200 E3
- 4204 C9
- 4205 C9
- 4206 C9
- 4207 C9
- 4211 C10
- 4212 C10
- 4213 C10
- 4214 C10
- 4215 C9
- 4216 D9
- 4217 D9
- 4218 D9
- 4219 C4
- 4220 C4
- 4221 C4
- 4222 D10
- 4223 D10
- 4224 D10
- 4225 D10
- 7200 B5
- I200 B9
- I201 B9
- I202 B9
- I203 B9
- I204 C9
- I205 C9
- I206 C9
- I207 C9
- I208 C9
- I209 D8
- I210 C9
- I211 C9
- I212 C9
- I213 D9
- I214 D9
- I216 D8
- I235 C9
- I236 D9
- I237 D9

* Components having special characteristics are marked Δ and must be replaced with parts having specifications equal to those originally installed.
 * Schematic diagram is subject to change without notice.

■ SCHEMATIC DIAGRAM
FOR INFORMATION ONLY (NO SERVICE PARTS WILL BE AVAILABLE)

The first digit of a component indicates the component type.

1xxx : Connector 3xxx : Resistor 5xxx : Coil 7xxx : IC, Transistor, FET
2xxx : Capacitor 4xxx : SMD jumper 6xxx : Diode 9xxx : Wire jumper



- 2365 C2
- 2366 C2
- 2367 D3
- 2368 D3
- 2369 D2
- 2370 D2
- 2371 D3
- 2372 D3
- 2373 D4
- 2374 D4
- 2375 E4
- 2376 E5
- 2377 C6
- 2378 C6
- 2379 C7
- 2380 D6
- 3385 C6
- 4330 C6
- 4331 D6
- 4332 D6
- 4333 D6
- 4334 D7
- 4335 D7
- 4336 D7
- 4337 D7
- 7320 B5
- I335 C7
- I336 C7
- I337 D7
- I338 D7
- I339 D7

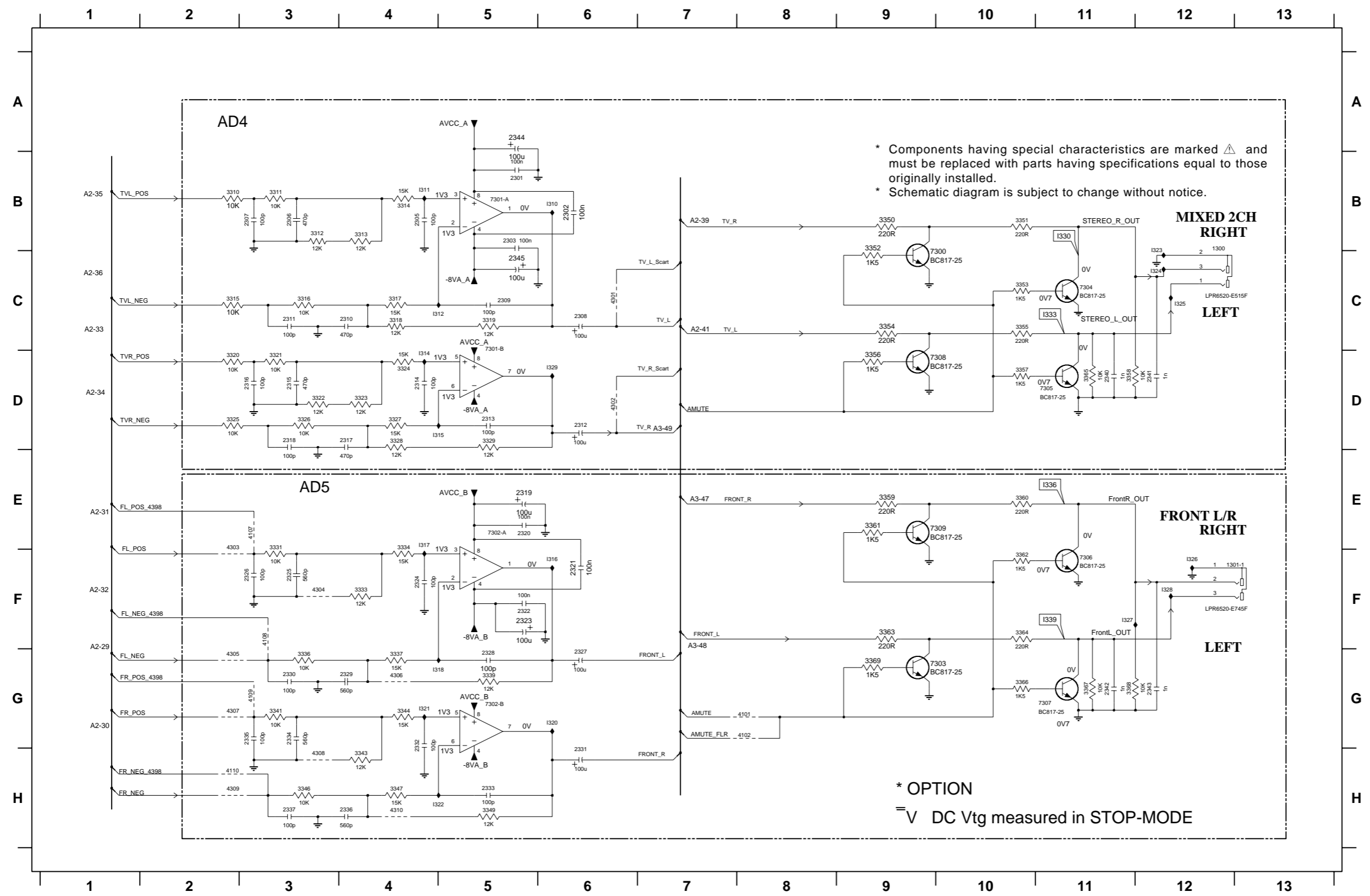
* Components having special characteristics are marked \triangle and must be replaced with parts having specifications equal to those originally installed.
* Schematic diagram is subject to change without notice.

■ SCHEMATIC DIAGRAM
FOR INFORMATION ONLY (NO SERVICE PARTS WILL BE AVAILABLE)

The first digit of a component indicates the component type.
 1xxx : Connector 3xxx : Resistor 5xxx : Coil 7xxx : IC, Transistor, FET
 2xxx : Capacitor 4xxx : SMD jumper 6xxx : Diode 9xxx : Wire jumper

AV BOARD (4/7)

A 4 AV_AUDIO_Front & TV Channels



- 1300 B12
- 1301-1 F13
- 2301 B5
- 2302 B6
- 2303 B5
- 2305 B4
- 2306 B3
- 2307 B3
- 2308 C6
- 2309 C5
- 2310 C4
- 2311 C3
- 2312 D6
- 2313 D5
- 2314 D4
- 2315 D3
- 2316 D3
- 2317 D4
- 2318 D3
- 2319 E5
- 2320 E5
- 2321 F6
- 2322 F5
- 2323 F5
- 2324 F4
- 2325 F3
- 2326 F3
- 2327 G6
- 2328 G5
- 2329 G4
- 2330 G3
- 2331 G6
- 2332 G4
- 2333 H5
- 2334 G3
- 2335 G3
- 2336 H4
- 2337 H3
- 2340 D11
- 2341 D12
- 2342 G11
- 2343 G12
- 2344 A5
- 2345 C5
- 3310 B2
- 3311 B3
- 3312 B3
- 3313 B4
- 3314 B4
- 3315 C2
- 3316 C3
- 3317 C4
- 3318 C4
- 3319 C5
- 3320 D2
- 3321 D3
- 3322 D3
- 3323 D4
- 3324 D4
- 3325 D2
- 3326 D3
- 3327 D4
- 3328 D4
- 3329 D5
- 3331 E3
- 3333 F4
- 3334 E4
- 3336 G3
- 3337 G4
- 3339 G5
- 3341 G3
- 3343 H4
- 3344 G4
- 3346 H3
- 3347 H4
- 3349 H5
- 3350 B9
- 3351 B10
- 3352 B9
- 3353 C10
- 3354 C9
- 3355 C10
- 3356 D9
- 3357 D10
- 3358 D11
- 3359 E9
- 3360 E10
- 3361 E9
- 3362 F10
- 3363 F9
- 3364 F10
- 3365 D11
- 3366 G10
- 3367 G11
- 3368 G11
- 3369 G9
- 4101 G8
- 4102 G8
- 4107 E3
- 4108 F3
- 4109 G3
- 4110 H2
- 4301 C6
- 4302 D6
- 4303 E2
- 4304 F3
- 4305 G2
- 4306 G4
- 4307 G2
- 4308 H3
- 4309 H2
- 4310 H4
- 7300 C9
- 7301-A B5
- 7301-B D5
- 7302-A E5
- 7302-B G5
- 7303 G9
- 7304 C11
- 7305 D11
- 7306 F11
- 7307 G11
- 7308 D9
- 7309 E9
- 1310 B6
- 1311 B4
- 1312 C5
- 1314 D4
- 1315 D5
- 1316 F6
- 1317 E4
- 1318 G5
- 1320 G6
- 1321 G4
- 1322 H5
- 1323 B12
- 1324 C12
- 1325 C12
- 1326 F12
- 1327 F11
- 1328 F12
- 1329 D6

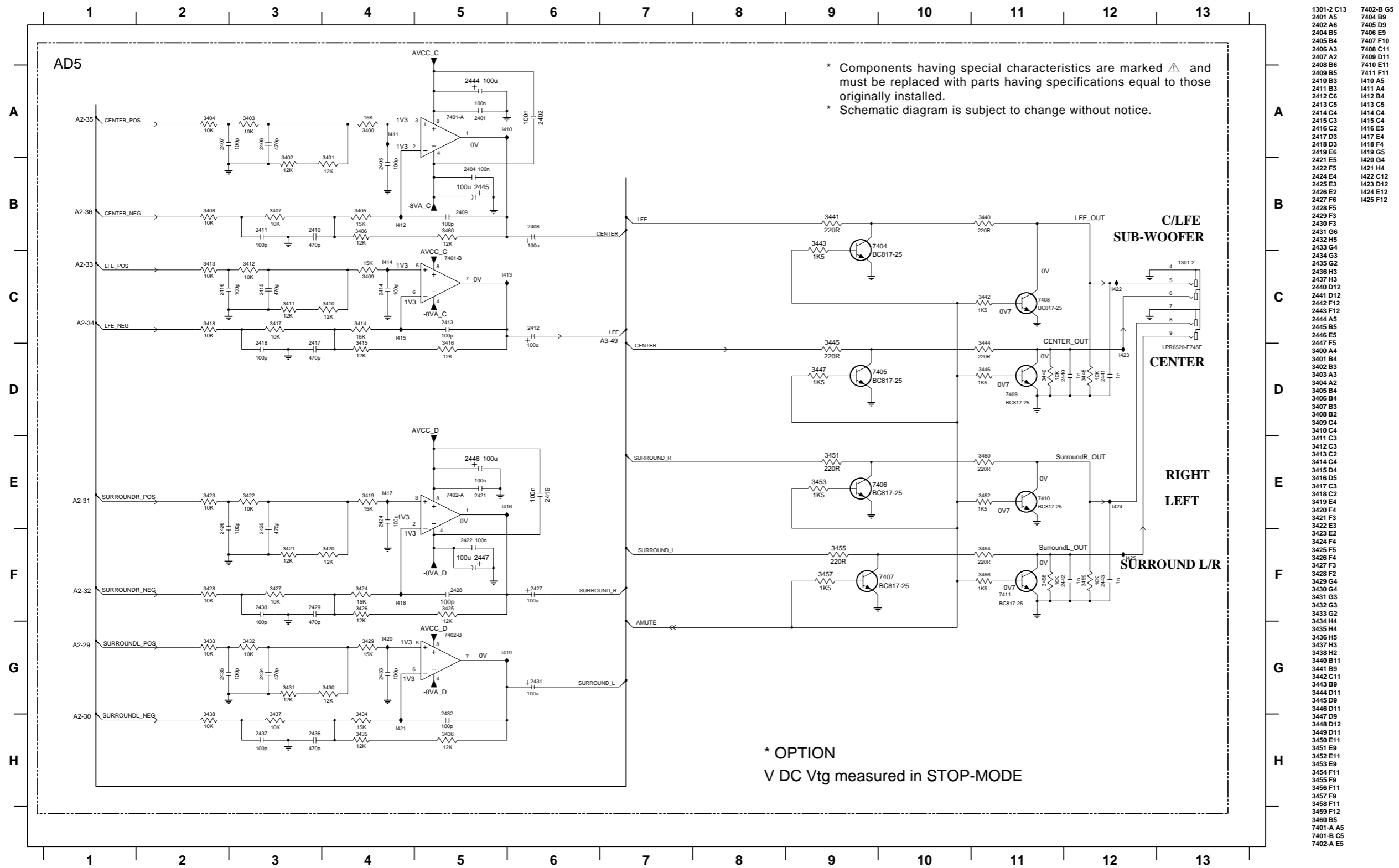
■ SCHEMATIC DIAGRAM
FOR INFORMATION ONLY (NO SERVICE PARTS WILL BE AVAILABLE)

The first digit of a component indicates the component type.

- 1xxx : Connector 3xxx : Resistor 5xxx : Coil 7xxx : IC, Transistor, FET
- 2xxx : Capacitor 4xxx : SMD jumper 6xxx : Diode 9xxx : Wire jumper

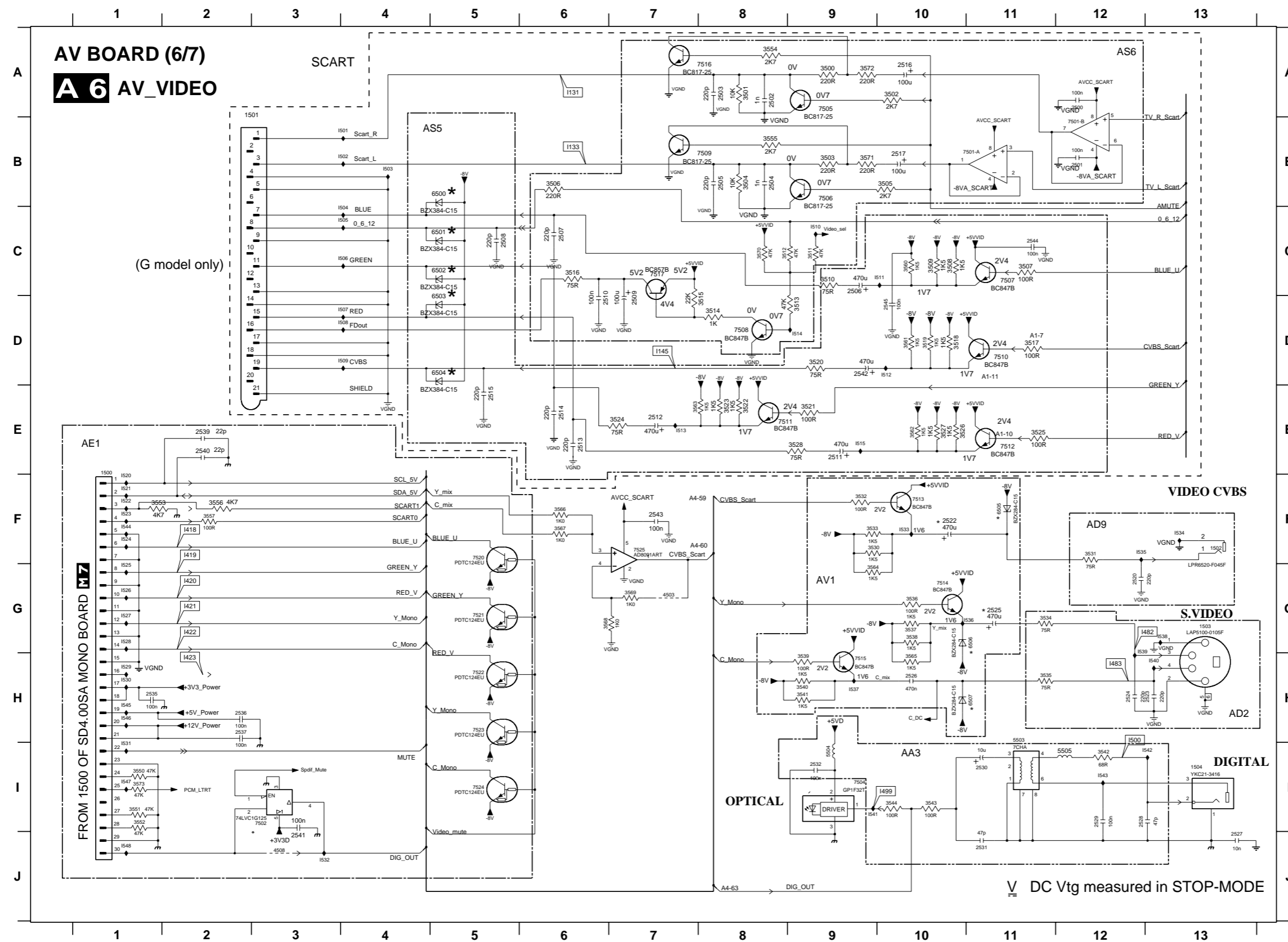
AV BOARD (5/7)

A 5 AV_AUDIO_C/FE & Surround Channels



SCHEMATIC DIAGRAM
FOR INFORMATION ONLY (NO SERVICE PARTS WILL BE AVAILABLE)

The first digit of a component indicates the component type.
 1xxx : Connector 3xxx : Resistor 5xxx : Coil 7xxx : IC, Transistor, FET
 2xxx : Capacitor 4xxx : SMD jumper 6xxx : Diode 9xxx : Wire jumper



1500 F1	6503 D5
1501 A3	6504 D5
1502 F13	6505 F11
1503 G13	6506 G11
1504 H13	6507 H11
2500 A12	7501-A B11
2501 B12	7501-B B12
2502 AB	7502 B3
2503 A8	7504 I9
2504 B8	7505 A9
2505 B8	7506 B9
2506 C9	7507 C11
2507 C6	7508 D8
2508 C5	7509 B8
2509 D7	7510 D11
2510 D6	7511 E9
2511 E9	7512 E11
2512 E7	7513 F10
2513 E6	7514 G10
2514 E5	7515 H9
2515 E5	7516 A8
2516 A10	7517 C7
2517 B10	7520 F5
2520 G12	7521 G5
2522 F10	7522 H5
2523 H13	7523 H5
2524 H12	7524 I5
2525 G11	7525 F7
2526 H10	7526 H10
2527 J13	7527 J13
2528 H2	7528 H2
2529 H12	7529 H12
2530 H11	7530 C4
2531 J11	7531 J11
2532 I9	7532 I9
2535 H1	7535 H1
2536 H2	7536 H2
2537 H2	7537 H2
2538 E2	7538 E2
2540 E2	7540 E2
2541 J3	7541 J3
2542 D9	7542 D9
2543 F7	7543 F7
2544 C11	7544 C11
2545 D10	7545 D10
3500 A9	7545 D10
3501 A8	7545 D10
3502 A10	7545 D10
3503 B9	7545 D10
3504 B8	7545 D10
3505 B10	7545 D10
3506 B6	7545 D10
3507 C11	7545 D10
3508 C10	7545 D10
3509 C10	7545 D10
3510 C9	7545 D10
3511 C8	7545 D10
3512 C8	7545 D10
3513 D9	7545 D10
3514 D8	7545 D10
3515 D8	7545 D10
3516 C6	7545 D10
3517 D11	7545 D10
3518 D10	7545 D10
3519 D10	7545 D10
3520 D9	7545 D10
3521 E9	7545 D10
3522 E8	7545 D10
3523 E8	7545 D10
3524 E7	7545 D10
3525 E11	7545 D10
3526 E10	7545 D10
3527 E10	7545 D10
3528 E9	7545 D10
3530 F9	7545 D10
3531 F12	7545 D10
3532 F9	7545 D10
3533 F9	7545 D10
3534 G11	7545 D10
3535 H11	7545 D10
3536 G10	7545 D10
3537 G10	7545 D10
3538 G10	7545 D10
3539 H9	7545 D10
3540 H9	7545 D10
3541 H9	7545 D10
3542 H12	7545 D10
3543 H10	7545 D10
3544 H10	7545 D10
3550 I1	7545 D10
3551 I1	7545 D10
3552 I1	7545 D10
3553 F1	7545 D10
3554 A8	7545 D10
3555 B8	7545 D10
3556 F2	7545 D10
3557 F2	7545 D10
3560 C10	7545 D10
3561 D10	7545 D10
3562 E10	7545 D10
3563 E7	7545 D10
3564 G9	7545 D10
3565 H10	7545 D10
3566 F6	7545 D10
3567 F6	7545 D10
3568 G6	7545 D10
3569 G7	7545 D10
3570 C8	7545 D10
3571 B9	7545 D10
3572 A9	7545 D10
3573 H1	7545 D10
4503 G7	7545 D10
4508 J3	7545 D10
5503 H11	7545 D10
5504 I9	7545 D10
5505 H12	7545 D10
6500 B5	7545 D10
6501 C5	7545 D10
6502 C5	7545 D10

* Components having special characteristics are marked Δ and must be replaced with parts having specifications equal to those originally installed.
 * Schematic diagram is subject to change without notice.

■ SCHEMATIC DIAGRAM
FOR INFORMATION ONLY (NO SERVICE PARTS WILL BE AVAILABLE)

AV BOARD (7/7)

A7

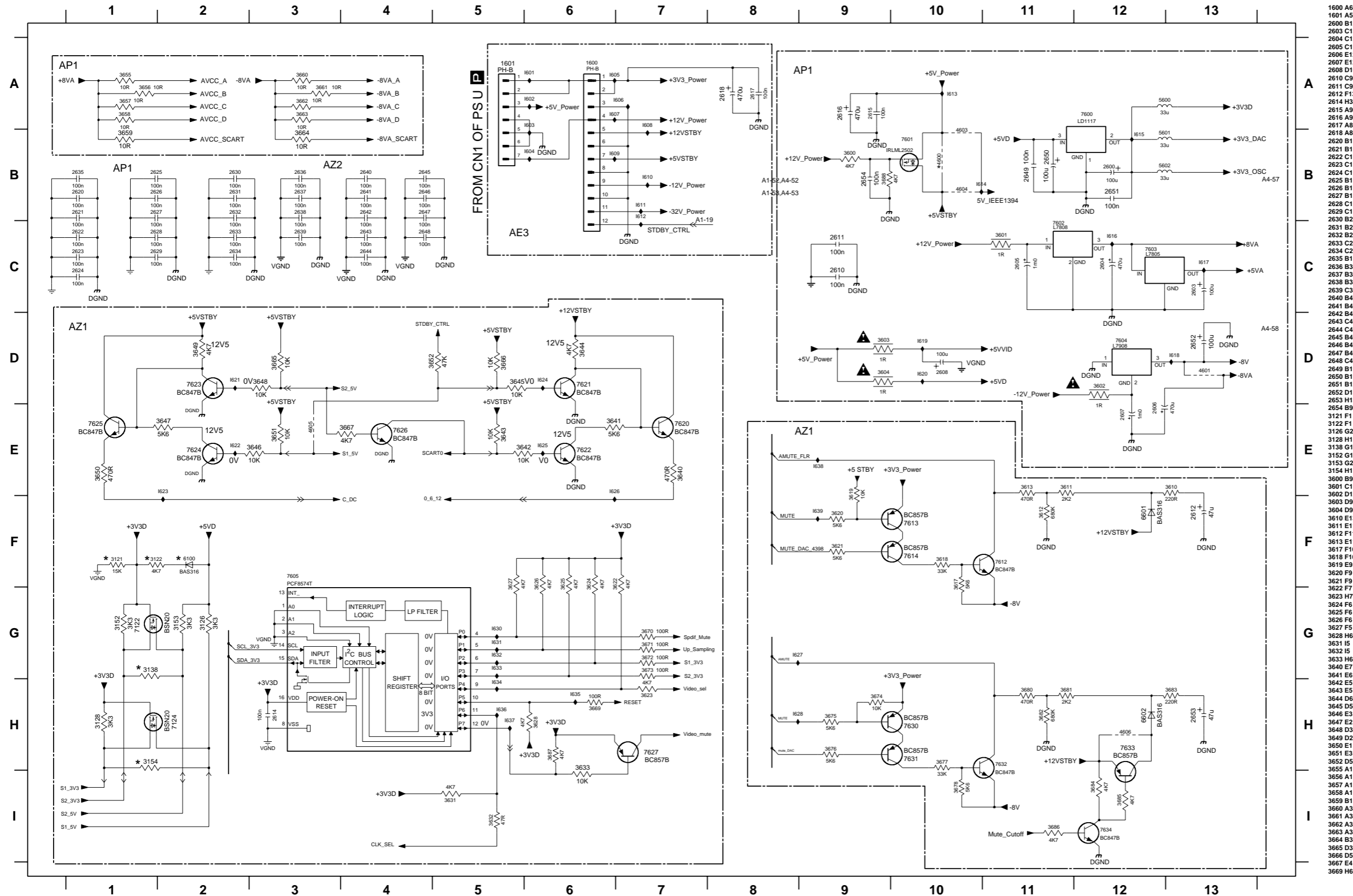
The first digit of a component indicates the component type.

1xxx : Connector 3xxx : Resistor 5xxx : Coil 7xxx : IC, Transistor, FET

2xxx : Capacitor 4xxx : SMD jumper 6xxx : Diode 9xxx : Wire jumper

* Components having special characteristics are marked Δ and must be replaced with parts having specifications equal to those originally installed.

* Schematic diagram is subject to change without notice.

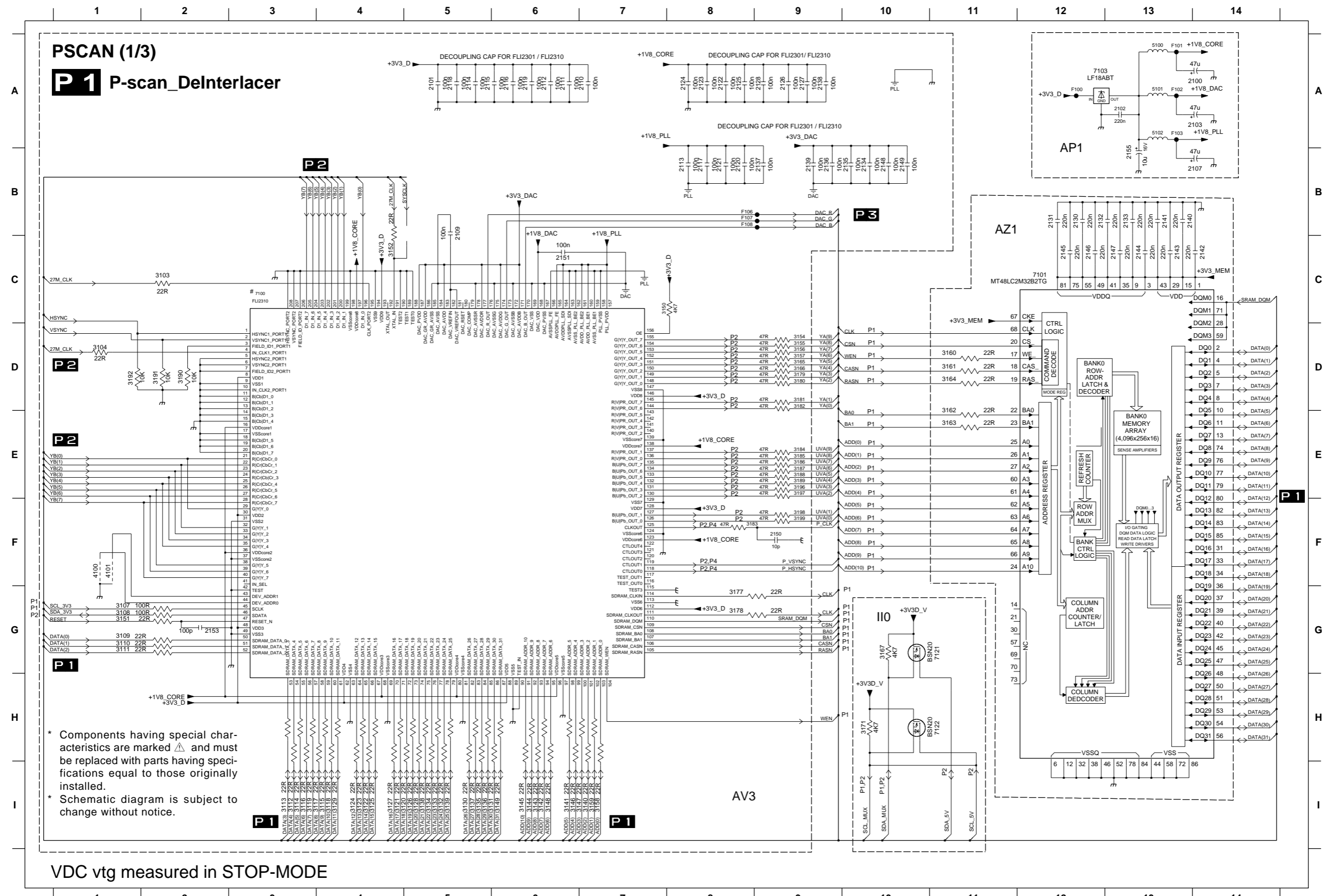


1600 A6	3670 G7
1601 A5	3671 G7
2600 B12	3672 G7
2603 C13	3673 G7
2604 C12	3674 H9
2605 C11	3675 H9
2606 E12	3676 H9
2607 E12	3677 H10
2608 D10	3678 H10
2610 C9	3680 H11
2611 C9	3681 H11
2612 F13	3682 H11
2614 H3	3683 H13
2615 A9	3684 I12
2616 A9	3685 I12
2617 A8	3686 I11
2618 A8	3687 H6
2620 B1	3688 B9
2621 B1	4600 B10
2622 C1	4601 D13
2623 C1	4603 B10
2624 C1	4604 B10
2625 B1	4605 E3
2626 B1	4606 H12
2627 B1	5600 A12
2628 C1	5601 B12
2629 C1	5602 B12
2630 B2	6100 F2
2631 B2	6601 F12
2632 B2	6602 H12
2633 C2	7122 G1
2634 C2	7124 H2
2635 B1	7600 A12
2636 B3	7601 B10
2637 B3	7602 C11
2638 B3	7603 C12
2639 C3	7604 D12
2640 B4	7605 F3
2641 B4	7612 F11
2642 B4	7613 F10
2643 C4	7614 F10
2644 C4	7620 E7
2645 B4	7621 D6
2646 B4	7622 E6
2647 B4	7623 D2
2648 C4	7624 E2
2649 B11	7625 E1
2650 B11	7626 E4
2651 B12	7627 H7
2652 D13	7630 H10
2653 H13	7631 H10
2654 B9	7632 H11
3121 F1	7633 H12
3122 F1	7634 I12
3126 G2	I601 A6
3128 H1	I602 A6
3138 G1	I603 A6
3152 G1	I604 B6
3153 G2	I605 A6
3154 H1	I606 A7
3600 B9	I607 A6
3601 C11	I608 A7
3602 D12	I609 B6
3603 D9	I610 B7
3604 D9	I611 B7
3610 E13	I612 B7
3611 E11	I613 A10
3612 F11	I614 B10
3613 E11	I615 B10
3617 F10	I616 C12
3618 F10	I617 C13
3619 E9	I618 D13
3620 F9	I619 D10
3621 F9	I620 D10
3622 F7	I621 D2
3623 H7	I622 E2
3624 F6	I623 E2
3625 F6	I624 D6
3626 F6	I625 E6
3627 F5	I626 E6
3628 H6	I627 G8
3631 I5	I628 H8
3632 I5	I630 G5
3633 H6	I631 G5
3640 E7	I632 G5
3641 E6	I633 G5
3642 E5	I634 H5
3643 E5	I635 H6
3644 D6	I636 H5
3645 D5	I637 H5
3646 E3	I638 E9
3647 E2	I639 F9

■ SCHEMATIC DIAGRAM
FOR INFORMATION ONLY (NO SERVICE PARTS WILL BE AVAILABLE)

The first digit of a component indicates the component type.

1xxx : Connector 3xxx : Resistor 5xxx : Coil 7xxx : IC, Transistor, FET
2xxx : Capacitor 4xxx : SMD jumper 6xxx : Diode 9xxx : Wire jumper



2100	A14	3163	E11
2101	A5	3164	D11
2102	A13	3165	D9
2103	A14	3166	D9
2107	B14	3167	G10
2109	B5	3171	H10
2110	A7	3177	G8
2111	A6	3178	G8
2112	A6	3179	D9
2113	B8	3180	D9
2114	A5	3181	D9
2115	A5	3182	D9
2116	A6	3183	F8
2117	B8	3184	E9
2118	A5	3185	E9
2119	A6	3186	E9
2120	B8	3187	E9
2121	B8	3188	E9
2122	A8	3189	E9
2123	A8	3190	D2
2124	A8	3191	D2
2125	A8	3192	D1
2126	A9	3196	E9
2127	A9	3197	E9
2128	A9	3198	F9
2130	B12	3199	F9
2131	B12	4100	F1
2132	B12	4101	F1
2133	B13	5100	A13
2134	B10	5101	A13
2135	B10	5102	A13
2136	B9	7100	C3
2137	B9	7101	C12
2138	A9	7103	A12
2139	B9	7121	G11
2140	B13	7122	H11
2141	B13	F100	A12
2142	C14	F101	A13
2143	C13	F102	A13
2144	C13	F103	A13
2145	C14	F106	B8
2146	C12	F107	B8
2147	C13	F108	B8
2148	B10		
2149	B10		
2150	F9		
2151	C6		
2152	G2		
2153	B13		
3103	C2		
3107	G1		
3108	G1		
3109	G1		
3110	G1		
3111	G1		
3112	I3		
3113	I3		
3114	I3		
3115	I4		
3116	I3		
3117	I3		
3118	I4		
3119	I3		
3120	I4		
3121	I4		
3122	I4		
3123	I4		
3124	I4		
3125	I4		
3126	I5		
3128	I5		
3129	I4		
3130	I5		
3131	I5		
3132	I5		
3133	I5		
3134	I5		
3135	I5		
3136	I5		
3137	I5		
3138	I5		
3139	I5		
3140	I7		
3141	I6		
3142	I6		
3143	I6		
3144	I6		
3145	I6		
3146	I6		
3147	I7		
3148	I6		
3149	I6		
3150	C7		
3151	G1		
3152	C4		
3154	D9		
3155	D9		
3156	D9		
3157	D9		
3158	I7		
3159	I7		
3160	D11		
3161	D11		
3162	E11		

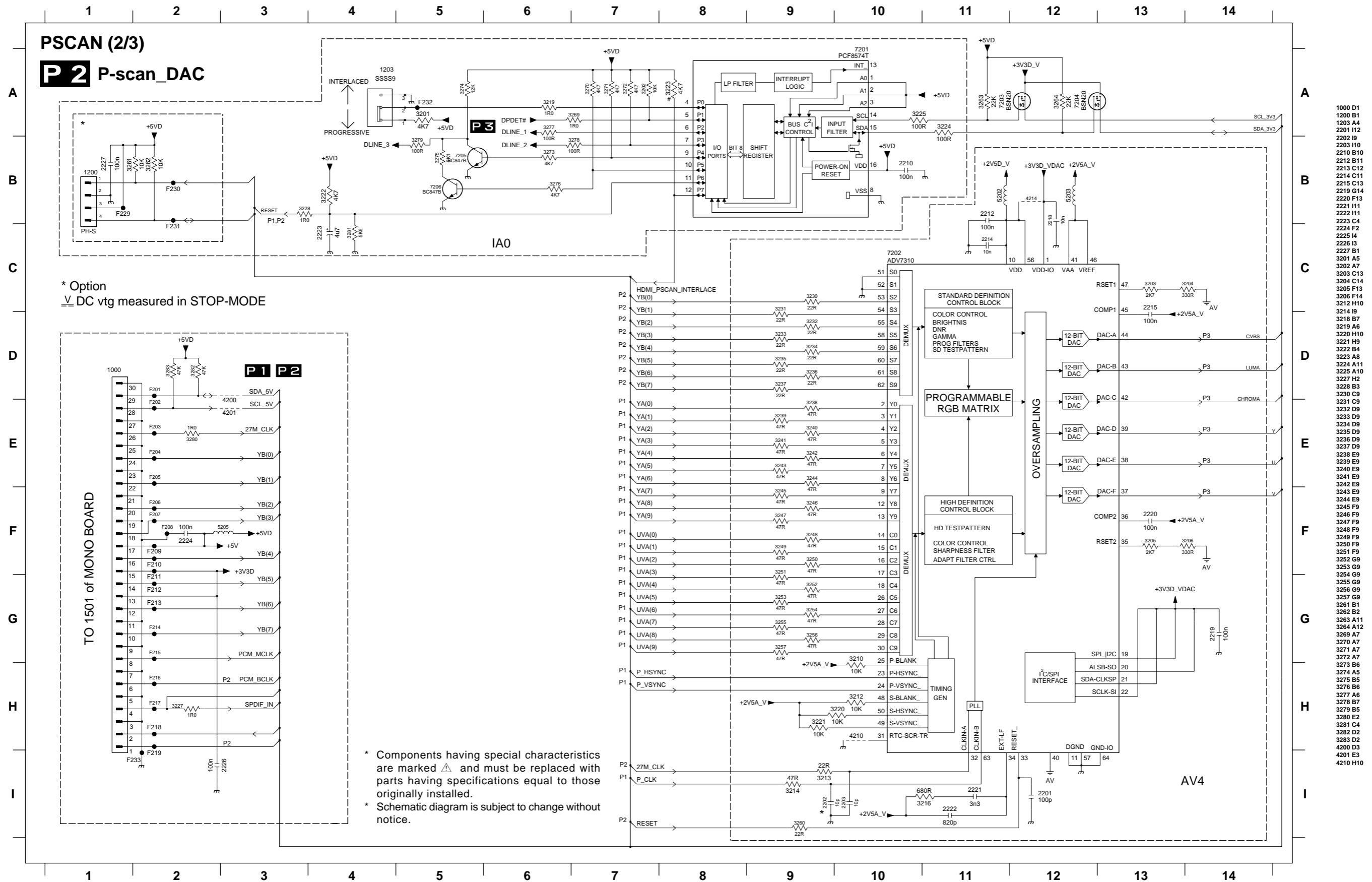
* Components having special characteristics are marked Δ and must be replaced with parts having specifications equal to those originally installed.
* Schematic diagram is subject to change without notice.

VDC vtg measured in STOP-MODE

SCHEMATIC DIAGRAM
FOR INFORMATION ONLY (NO SERVICE PARTS WILL BE AVAILABLE)

The first digit of a component indicates the component type.

1xxx : Connector 3xxx : Resistor 5xxx : Coil 7xxx : IC, Transistor, FET
2xxx : Capacitor 4xxx : SMD jumper 6xxx : Diode 9xxx : Wire jumper

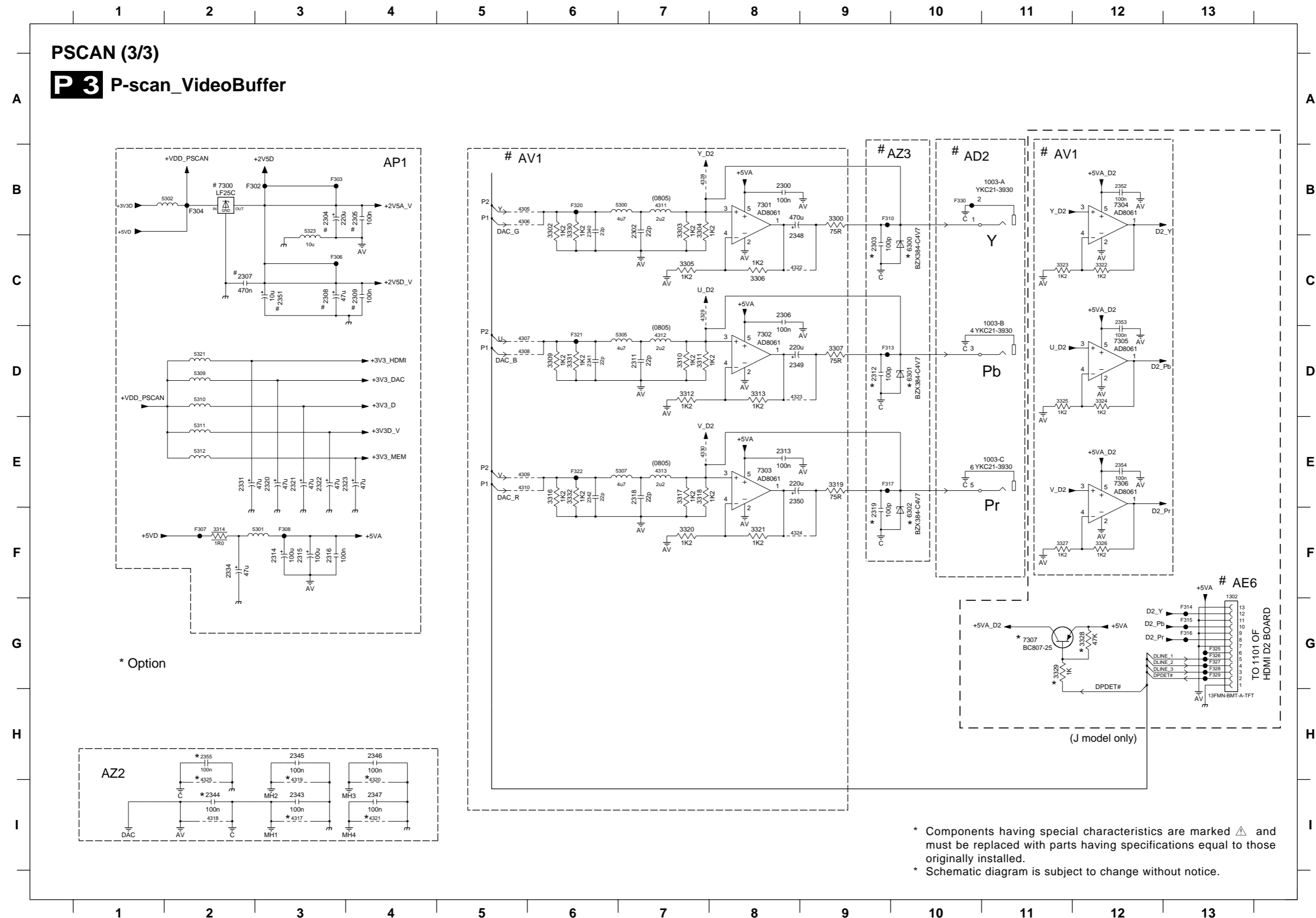


- 1000 D1
- 1200 B1
- 1203 A4
- 2201 H2
- 2202 I9
- 2203 H0
- 2210 B10
- 2212 B11
- 2213 C12
- 2214 C11
- 2215 C13
- 2219 G14
- 2220 F13
- 2221 H11
- 2222 H11
- 2223 C4
- 2224 F2
- 2225 I4
- 2226 I3
- 2227 B1
- 3201 A5
- 3202 A7
- 3203 C13
- 3204 C14
- 3205 F13
- 3206 F14
- 3212 H10
- 3214 I9
- 3218 B7
- 3219 A6
- 3220 H10
- 3221 H9
- 3222 B4
- 3223 A8
- 3224 A11
- 3225 A10
- 3227 H2
- 3228 B3
- 3230 C9
- 3231 C9
- 3232 D9
- 3233 D9
- 3234 D9
- 3235 D9
- 3236 D9
- 3237 D9
- 3238 E9
- 3239 E9
- 3240 E9
- 3241 E9
- 3242 E9
- 3243 E9
- 3244 E9
- 3245 F9
- 3246 F9
- 3247 F9
- 3248 F9
- 3249 F9
- 3250 F9
- 3251 F9
- 3252 G9
- 3253 G9
- 3254 G9
- 3255 G9
- 3256 G9
- 3257 G9
- 3261 B1
- 3262 B2
- 3263 A11
- 3264 A12
- 3269 A7
- 3270 A7
- 3271 A7
- 3272 A7
- 3273 B6
- 3274 A5
- 3275 B5
- 3276 B6
- 3277 A6
- 3278 B7
- 3279 B5
- 3280 E2
- 3281 C4
- 3282 D2
- 3283 D2
- 4200 D3
- 4201 E3
- 4210 H10
- 4214 B12
- 5201 G14
- 5202 B11
- 5203 B12
- 5205 F3
- 7201 A10
- 7202 C10
- 7204 A11
- 7205 B5
- 7206 B5
- F201 D2
- F202 E2
- F203 E2
- F204 E2
- F205 E2
- F206 F2
- F207 F2
- F208 F2
- F209 F2
- F210 F2
- F211 G2
- F212 G2
- F213 G2
- F214 G2
- F215 G2
- F216 H2
- F217 H2
- F218 H2
- F219 I2
- F229 B1
- F230 B2
- F231 C2
- F232 I2

SCHEMATIC DIAGRAM
FOR INFORMATION ONLY (NO SERVICE PARTS WILL BE AVAILABLE)

The first digit of a component indicates the component type.

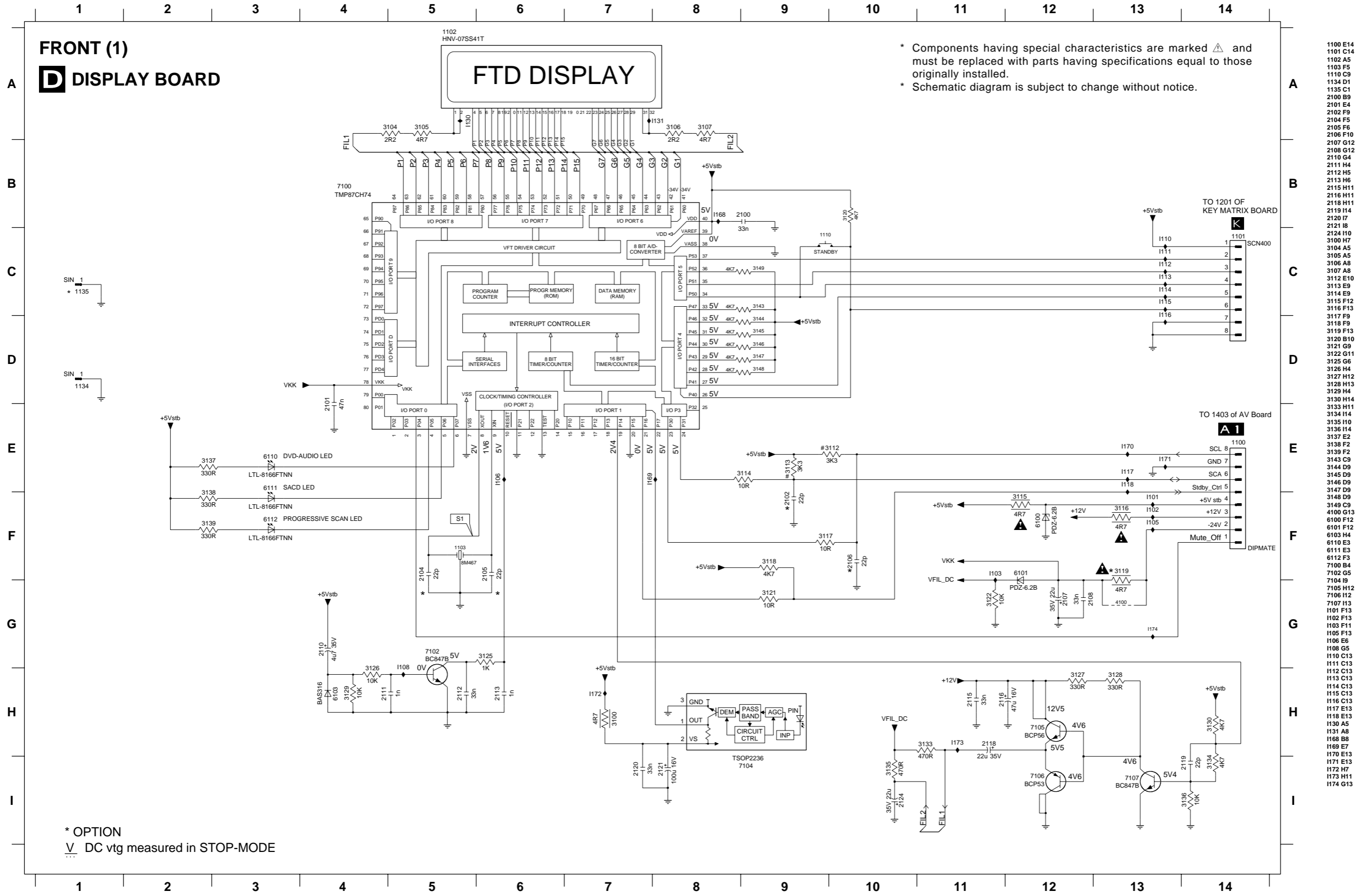
1xxx : Connector 3xxx : Resistor 5xxx : Coil 7xxx : IC, Transistor, FET
2xxx : Capacitor 4xxx : SMD jumper 6xxx : Diode 9xxx : Wire jumper



SCHEMATIC DIAGRAM
FOR INFORMATION ONLY (NO SERVICE PARTS WILL BE AVAILABLE)

The first digit of a component indicates the component type.

- 1xxx : Connector 3xxx : Resistor 5xxx : Coil 7xxx : IC, Transistor, FET
- 2xxx : Capacitor 4xxx : SMD jumper 6xxx : Diode 9xxx : Wire jumper



* Components having special characteristics are marked Δ and must be replaced with parts having specifications equal to those originally installed.
* Schematic diagram is subject to change without notice.

* OPTION
V DC vtg measured in STOP-MODE

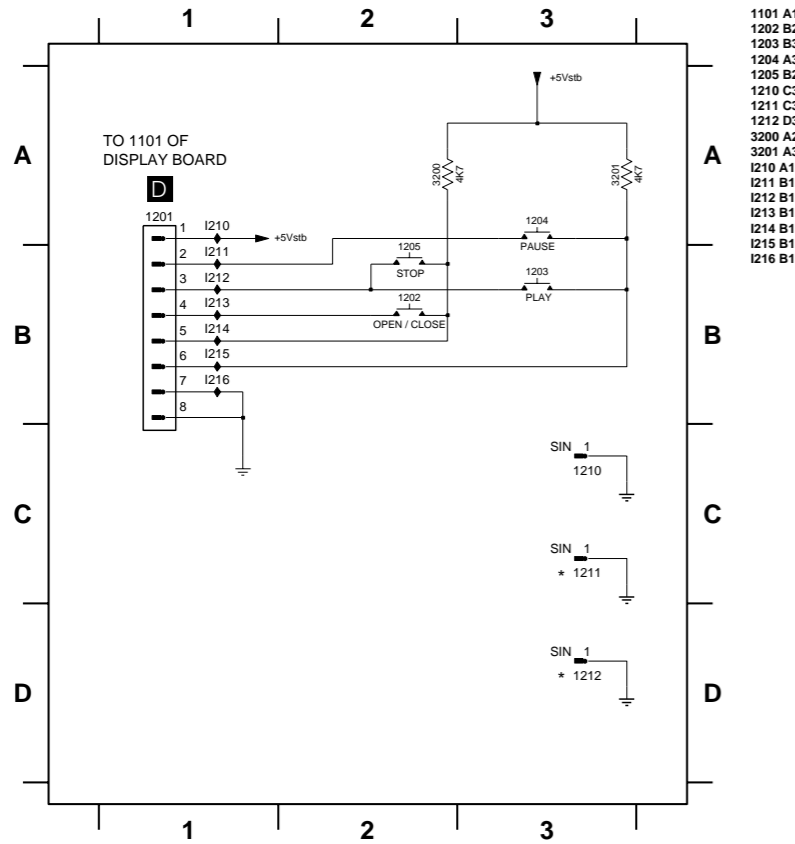
■ SCHEMATIC DIAGRAM
FOR INFORMATION ONLY (NO SERVICE PARTS WILL BE AVAILABLE)

The first digit of a component indicates the component type.

1xxx : Connector 3xxx : Resistor 5xxx : Coil 7xxx : IC, Transistor, FET
2xxx : Capacitor 4xxx : SMD jumper 6xxx : Diode 9xxx : Wire jumper

FRONT (2)

K KEY MATRIX BOARD

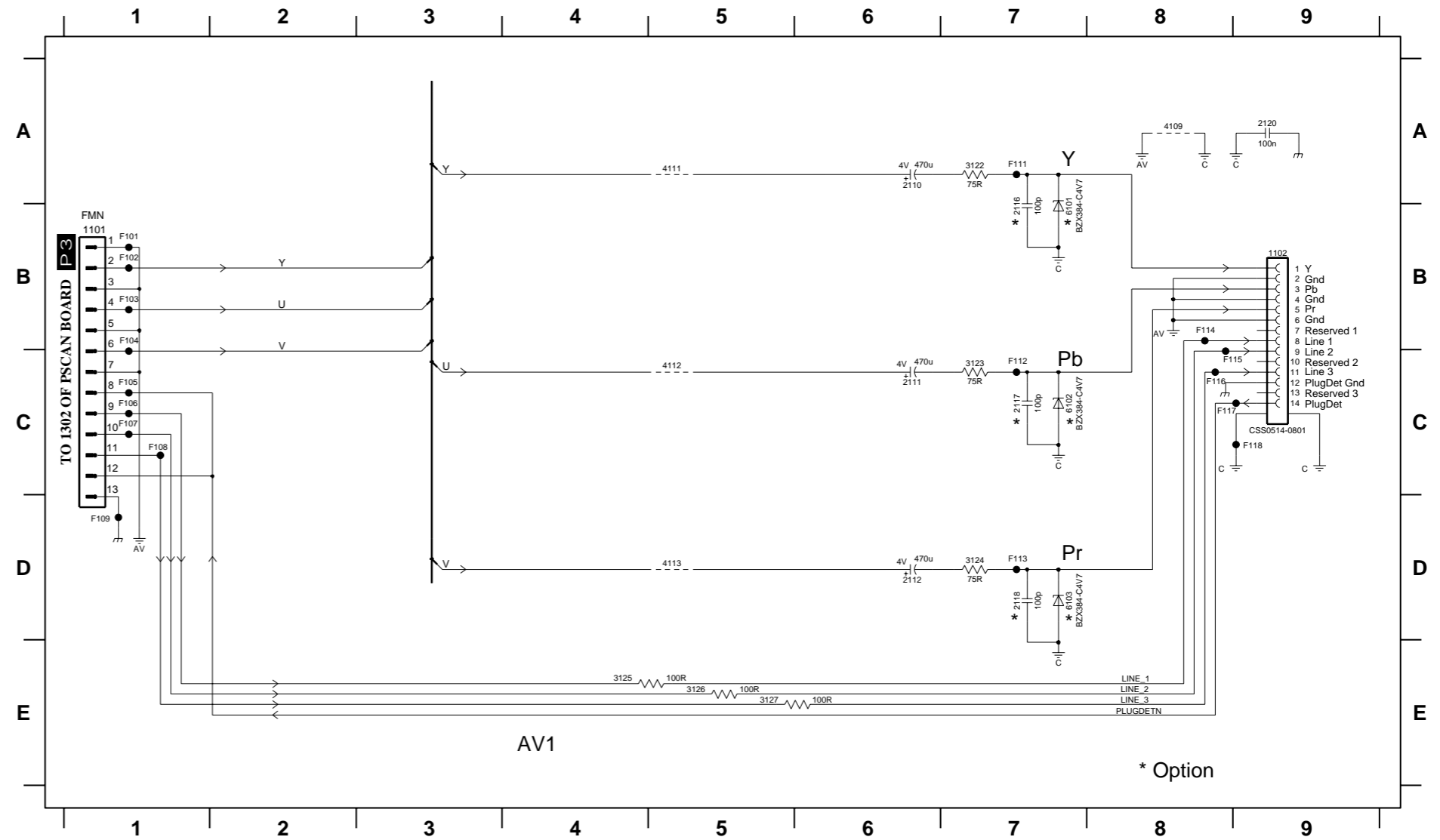


- 1101 A1
- 1202 B2
- 1203 B3
- 1204 A3
- 1205 B2
- 1210 C3
- 1211 C3
- 1212 D3
- 3200 A2
- 3201 A3
- I210 A1
- I211 B1
- I212 B1
- I213 B1
- I214 B1
- I215 B1
- I216 B1

* OPTION
V DC vtg measured in STOP-MODE

HDMI D2 BOARD (J model only)

- 1101 B1
- 2120 A9
- 4112 B5
- F105 C1
- F114 B8
- 1102 B9
- 3122 A7
- 4113 C5
- F106 C1
- F115 C8
- 2110 A6
- 3123 C7
- 6101 B7
- F107 C1
- F116 C8
- 2111 C6
- 3124 D7
- 6102 C7
- F108 C1
- F117 C8
- 2112 D6
- 3125 E4
- 6103 D7
- F109 D1
- F118 C9
- 2116 B7
- 3126 E5
- F101 B1
- F110 C2
- 2117 C7
- 3127 E5
- F102 B1
- F111 A7
- 2118 D7
- 4109 A8
- F103 B1
- F112 C7
- 2119 A8
- 4111 A5
- F104 B1
- F113 D7



* Option

* Components having special characteristics are marked Δ and must be replaced with parts having specifications equal to those originally installed.
* Schematic diagram is subject to change without notice.

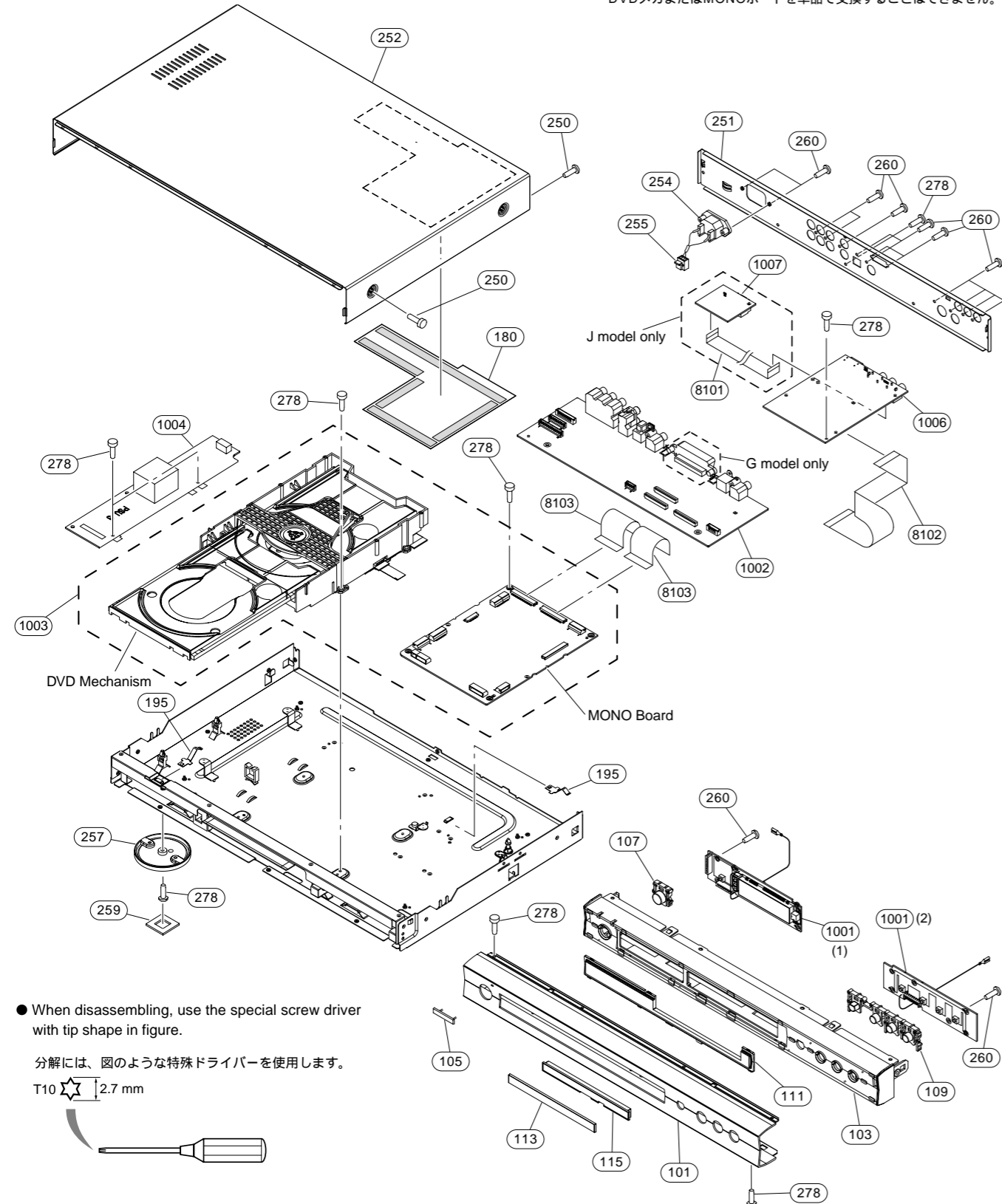
EXPLODED VIEW

DVD MODULE (1003)

- The DVD MECHANISM and MONO BOARD together as a set are called the DVD MODULE.
- If a failure has occurred with any part of the DVD MODULE, be sure to replace the DVD MODULE as a whole.
- Neither the DVD MECHANISM nor MONO BOARD can be replaced independently.


DVDモジュール (1003)

- DVDメカとMONOボードをセットしたものをDVDモジュールと呼びます。
- DVDモジュールに故障が発生した場合は、必ずDVDモジュールを交換してください。
- DVDメカまたはMONOボードを単品で交換することはできません。





● When disassembling, use the special screw driver with tip shape in figure.



分解には、図のような特殊ドライバーを使用します。

T10  2.7 mm

MECHANICAL PARTS

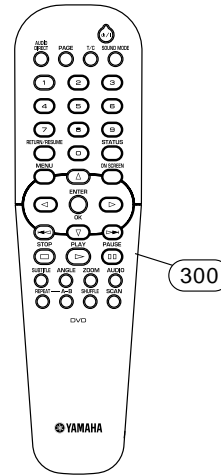
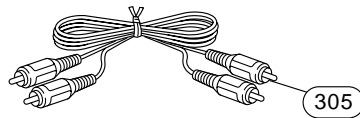
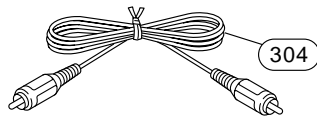
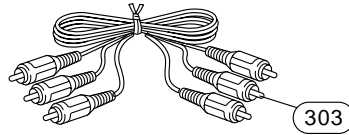
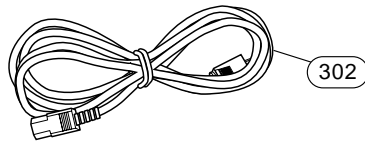
WARNING

- Components having special characteristics are marked  and must be replaced with parts having specifications equal to those originally installed.
- 印のある部分は、安全確保部品を示しています。部品の交換が必要な場合、パーツリストに記載されている部品を使用してください。

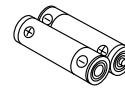
Ref. No.	PART NO.	Description	Remarks	Markets	部品名	Rank	
* 101	AAX57860	FRONT PANEL	S1500GD	3139 241 21651	フロントパネル		
* 101	AAX57870	FRONT PANEL	S1500BL	3139 241 21661	フロントパネル		
* 101	AAX57850	FRONT PANEL	S1500TI	3139 241 21641	フロントパネル		
* 101	AAX57880	FRONT PANEL	S5770SI	3139 241 60071	フロントパネル		
* 103	AAX57790	SUB PANEL	S1500GD	3139 244 04181	サブパネル		
* 103	AAX57800	SUB PANEL	S1500BL	3139 244 04191	サブパネル		
* 103	AAX57780	SUB PANEL	S1500TI	3139 244 04171	サブパネル		
103	AAX54600	SUB PANEL	S5770SI	3139 244 04011	サブパネル		
* 105	AAX22910	BADGE YAMAHA	GD	3139 240 00071	エンブレム		
105	AAX22900	BADGE YAMAHA	BL, TI, SI	3139 240 00061	エンブレム		
* 107	AAX57920	BUTTON POWER	S1500GD	3139 244 04141	ボタン/パワー		
* 107	AAX57940	BUTTON POWER	S1500BL	3139 244 04161	ボタン/パワー		
* 107	AAX57930	BUTTON POWER	S1500TI	3139 244 04151	ボタン/パワー		
107	AAX53560	BUTTON/POWER	S5770SI	3139 244 03981	ボタン/パワー		
* 109	AAX57890	BUTTON/CONTROL	S1500GD	3139 244 04111	ボタン/コントロール		
* 109	AAX57910	BUTTON/CONTROL	S1500BL	3139 244 04131	ボタン/コントロール		
* 109	AAX57900	BUTTON/CONTROL	S1500TI	3139 244 04121	ボタン/コントロール		
109	AAX53550	BUTTON/CONTROL	S5770SI	3139 244 03971	ボタン/コントロール		
* 111	AAX57740	WINDOW DISPLAY		3139 244 04101	ウィンドウ/ディスプレイ		
* 113	AAX57840	TRAY LID		3139 244 04221	トレーリッド		
115	AAX53510	TRAY CATCH		3139 244 03931	トレーキャッチ		
* 180	AAX57720	PC CUTSHEET		3139 243 20081	PCカットシート		
195	AAX53480	SPRING GROUNDING		3139 111 01471	スプリング/グランド		
* 250	AAX57730	PW HEAD TORX S-TIGHT SCREW	GD, TI, SI 3x6MFN133	3103 301 45951	PWヘッドSタイトネジ		
* 250	AAX55450	PW HEAD TORX S-TIGHT SCREW	BL 3x6MFZN2BL	3139 110 40611	PWヘッドSタイトネジ		
* 251	AAX57960	REAR PANEL	S1500	3139 241 21561	リアパネル	J	
* 251	AAX57990	REAR PANEL	S1500	3139 241 21681	リアパネル	U	
* 251	AAX57970	REAR PANEL	S1500	3139 241 21571	リアパネル	R	
* 251	AAX57980	REAR PANEL	S1500	3139 241 21671	リアパネル	A	
* 251	AAX57950	REAR PANEL	S1500	3139 241 21551	リアパネル	G	
* 251	AAX58000	REAR PANEL	S5770	3139 241 22061	リアパネル	U	
* 252	AAX57820	TOP COVER	GD	3139 241 21621	トップカバー		
* 252	AAX57830	TOP COVER	BL	3139 241 21631	トップカバー		
* 252	AAX57810	TOP COVER	TI, SI	3139 241 21611	トップカバー		
	254	AAX57640	AC INLET	2P	2422 030 00408	ACインレット 2P	
* 255	AAX57770	CABLE VH 2P3/100/2P		3139 241 00261	ケーブル		
* 257	AAX58020	FOOT 7-5 G	GD	3139 244 04091	脚		
257	AAX53620	FOOT	BL, TI, SI	3139 244 03951	脚		
259	AAX53470	CUSHION		3139 243 10011	クッション		
260	AAX53520	PAN HEAD TORX P-TIGHT SCREW	3x8 MFZN2BL	2511 076 50012	ナベトルクスPタイトネジ		
278	AAX23640	PAN HEAD TORX S-TIGHT SCREW	3x6 MFZN2BL	2511 077 00039	ナベトルクスSタイトネジ		
* 1001	AAX57710	P.C.B. ASS'Y	FRONT	3139 248 82872	PCB フロント		
* 1002	AAX57660	P.C.B. ASS'Y	A/V	3139 248 82782	PCB A/V	JURA	
* 1002	AAX57670	P.C.B. ASS'Y	A/V	3139 248 82792	PCB A/V	G	
* 1003	AAX57650	DVD MODULE	SD52XSA 4FL DV	3139 248 71911	DVDモジュール		
	1004	AAX58070	POWER SUPPLY UNIT	B1L PERF2003 WR HE	3139 248 71951	電源ユニット	
* 1006	AAX57690	P.C.B. ASS'Y	PSCAN 80S D2	3139 248 82741	PCB PSCAN	J	
* 1006	AAX57700	P.C.B. ASS'Y	PSCAN 80S	3139 248 82971	PCB PSCAN	URAG	
* 1007	AAX57680	P.C.B. ASS'Y	HDMI D2 CONNECTOR	3139 248 82751	PCB HDMI D2	J	
* 8101	AAX57750	FLEXIBLE FLAT CABLE	13P 220mm P=1mm	3139 241 00361	カード電線 C & C	J	
* 8102	AAX57760	FLEXIBLE FLAT CABLE	30P 140mm P=1mm	3139 241 00451	カード電線 C & C		
* 8103	AAX47150	FLEXIBLE FLAT CABLE	30P 80mm P=1mm	3139 241 00251	カード電線 C & C		

* New Parts (新規部品)

■ ACCESSORIES



Note) The battery cover is not available.



Ref. No.	PART NO.	Description	Remarks	Markets	部品名	Rank
		ACCESSORIES			付属品	
* 300	AAx58010	REMOTE CONTROL	RC19237009/00	3139 238 06231	リモコン	
△ * 302	AAx58050	POWER CABLE	2m	2422 070 00006	電源コード	J
△ * 302	AAx58060	POWER CABLE	2m	2422 070 00008	電源コード	U
△ * 302	AAx58040	POWER CABLE	2m	2422 070 00005	電源コード	RG
△ * 302	AAx58030	POWER CABLE	2m	2422 070 00004	電源コード	A
303	AAx23450	AUDIO/VIDEO CABLE	YE/RD/WH 1.5m 1pc	2422 076 00304	音声 / 映像ピンケーブル	JURA
304	AAx22970	VIDEO CABLE	YE 1.5m 1pc	3104 108 45432	ビデオ用ピンケーブル	G
305	AAx21980	AUDIO PIN CABLE	RD/WH 1.5m 1pc	3103 308 92611	ステレオピンケーブル	G
		BATTERY	UM-3 (2pcs)		乾電池 2 P C S	

* New Parts (新規部品)

DVD-S1500/DV-S5770

YAMAHA

DVD-S1500
/DV-S5770
